

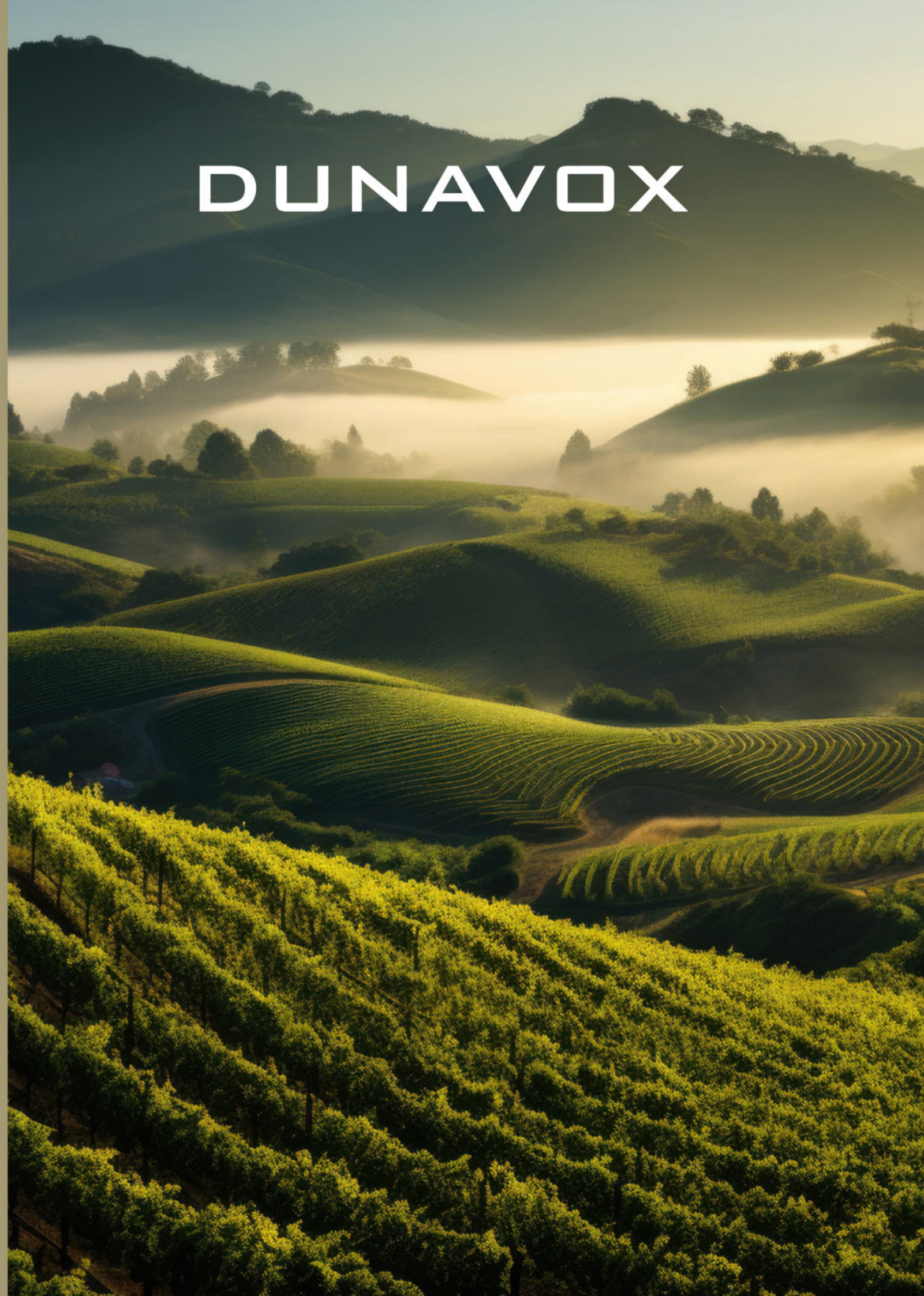
DUNAVOX



2026 2027

20
YEARS

DUNAVOX



DUNAVOX AROUND THE WORLD



MORE THAN
40
COUNTRIES AROUND THE WORLD

MORE THAN
100
MODELS

10
PRODUCT FAMILIES

Celebrating 20 years of global excellence

For twenty years, Dunavox has been synonymous with uncompromising quality in wine storage and preservation. Renowned as an award-winning brand, Dunavox blends minimalist design with outstanding functionality, advanced technology and meticulous engineering to create wine coolers that are both highly energy-efficient and exceptionally reliable.

Marking two decades of innovation, Dunavox today offers Europe's most extensive portfolio of more than hundred premium wine coolers. Distributed through a worldwide network of partners and supported by dedicated subsidiaries in the United Kingdom, Spain, Italy, Netherlands and Germany, Dunavox provides expert guidance, technical assistance and comprehensive after-sales service across the globe.

DUNAVOX Kft., Hungary - Headquarters

2151 Fót, Fehérkő utca 8/B
Phone: +36 27 594 054
Email: info@dunavox.com

DUNAVOX Deutschland GmbH, Germany

84056 Rottenburg Dieselstrasse 34
Phone: +49 8781 2014130
Email: deutschland@dunavox.com

DUNAVOX Benelux B.V., The Netherlands

Industrieweg 4H, Woerden
Phone: +31 085 0601720, WhatsApp: +31 615 444081
Email: nederland@dunavox.com, belgie@dunavox.com

DUNAVOX Italia s.r.l, Italy

31031 Caerano di San Marco
Phone: +39 0423 650022
Email: info@dunavox.it

DUNAVOX GB Ltd., The United Kingdom

Unit 3 Central Trading Estate, Chester, CH4 8SX
Phone: 01244 681 369
Email: sales.gb@dunavox.com

DUNAVOX Iberia sl, Spain & Portugal

08402 Granollers-Barcelona, C/ Pallars 6, planta 7ª
Phone: +34 938 700 895
Email: iberia@dunavox.com

DUNAVOX Poland Business Development Team, Poland

Phone: +48 661 955 506
Email: kontakt.polska@dunavox.com



DUNAVOX FOR NATURE

Responsibility for today and tomorrow

Environmental responsibility is central to Dunavox. For 20 years, we've combined expert wine storage with sustainable practices, using recycled and reusable materials, selective waste collection, and responsible sourcing. Our headquarters runs on a 100% heat pump system, with solar panels at our centre and warehouse, reflecting a long-term commitment to renewable energy and reducing our environmental footprint.

Reduce – Reuse – Recycle

The 3Rs – Reduce, Reuse, Recycle – shape Dunavox's sustainability approach, guiding everything from design to after-sales service. Each cooler is built to last, backed by a 3-year warranty plus 2 extra years for the compressor, promoting durability, reducing waste, and supporting mindful consumption.



Reduce

The best way to reduce waste is to avoid creating it. Dunavox cuts unnecessary materials by using e-manuals, removing ozone-depleting gases, and moving towards fully paper-free offices – conserving resources and reducing energy use.



Reuse

We reuse packaging materials wherever possible, from cardboard and foam to pallets and transport buffers. Returned or damaged units are repaired, refurbished, and resold or donated, while office equipment is passed on to charities for a second life.



Recycle

Recycling is integral to our supply chain. Packaging uses at least 50% recycled cardboard, foams are made from recycled polystyrene, and key components from recycled plastics. All sites collect and recycle waste responsibly, aiming for 100% recyclability in paper and polymer use.

Designed to International Standards

Every Dunavox wine cooler is more than an appliance—it's a lasting investment, designed with quality, sustainability, and safety in mind.

Our management practices follow internationally recognised ISO standards:

- **ISO 9001:2015** – quality management ensuring meticulous design and long-lasting durability.
- **ISO 14001** – environmental management minimising impact on the planet.
- **ISO 45001** – occupational health and safety management prioritising people's wellbeing.

These standards guide our operations, helping us deliver reliable, sustainable, and safe products.



DUNAVOX TECHNOLOGY



Optional door opening

The ideal solution for your kitchen

Push-to-open

A gentle push allows the door to open smoothly, providing effortless access to the bottles inside while preserving a clean, handle-free appearance and a refined, contemporary design character.



Handle

Available with a sleek black door and matching black handle, or a timeless Inox finish paired with a stainless steel handle – both featuring the classic door-opening mechanism. The integrated handle ensures smooth and intuitive manual operation.



Hidden handle

Elegantly recessed handles create a clean, contemporary look, enhancing the overall design with a refined, sophisticated, and timeless aesthetic.

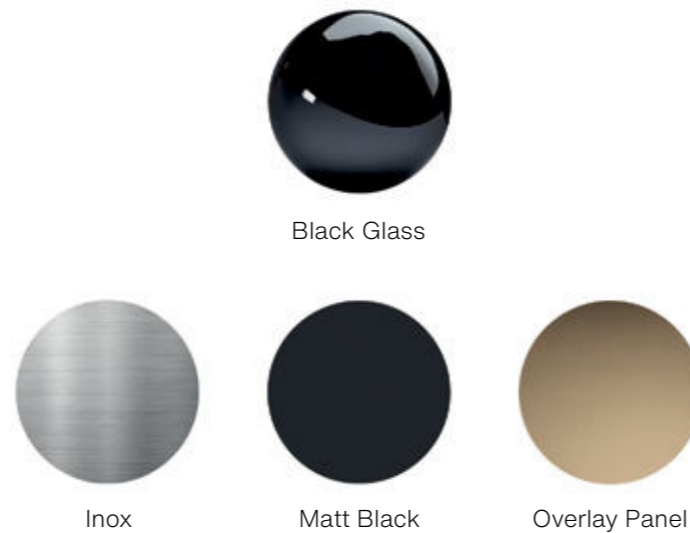


Various door technology

Revolutionary design

Various door & finish options

Choose from black full glass, stainless steel, matt black or overlay panel finishes – ensuring a flawless fit with any kitchen design.



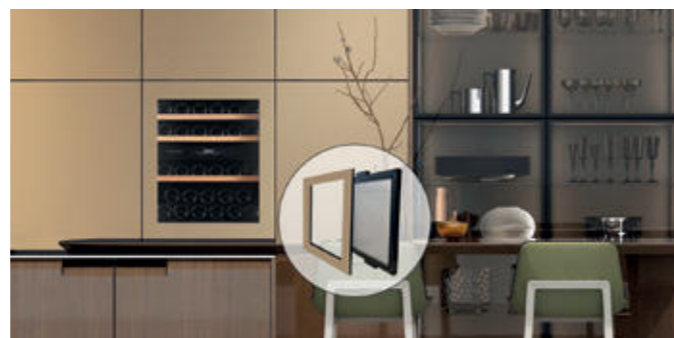
RAL colour door

Our exclusive bespoke service allows customers to select any RAL shade for their wine cooler, creating a perfectly coordinated match with their kitchen décor. In addition to the full colour palette, we offer three refined surface finishes – matt, high gloss, or metallic – ensuring a truly personalised and exceptional result. To complement the customised exterior, colour-matched shelves can also be selected, available in Mahogany, Dark Walnut, or Black, allowing the interior presentation to reflect the same design vision with complete harmony and sophistication.



Overlay Panel option

The overlay panel door option allows the wine cooler to blend seamlessly into your kitchen design, completely concealed behind matching cabinetry. A furniture panel identical to your kitchen fronts can be mounted on the cooler, ensuring a harmonious and integrated look.

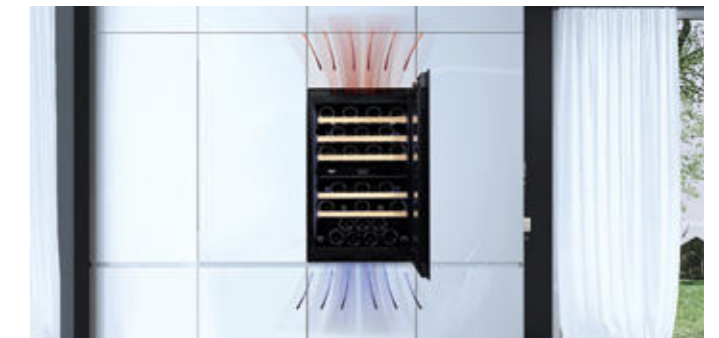


Discreet technology, maximum experience

Ventilation, design and security in one

Integrated ventilation system

Designed for seamless installation beneath countertops or within cabinetry columns, without the need for additional plinth ventilation, thereby preserving the clean and streamlined aesthetics of the kitchen.



Front grille ventilation

The ventilation grille must be kept free; the warm air produced by the compressor is expelled through one side and the cooler air is drawn in on the other via a set of silent fans which enable the cooler to ventilate correctly.

If running a plinth in front of the wine cooler, a grille must be installed into the plinth itself to ensure adequate ventilation and any heat sources near to the cooler will likely reduce the life span of the fridge, namely the compressor itself.



Integrated door alarm

An integrated door alarm provides additional peace of mind by alerting you if the door is left open or not fully closed. This smart feature helps maintain stable temperature conditions inside the cooler and prevents unnecessary energy consumption. Subtle and reliable, it ensures both your wines and your appliance remain perfectly protected.



Where fine wine meets smart design

Smart cooling - smart lighting - smarter living

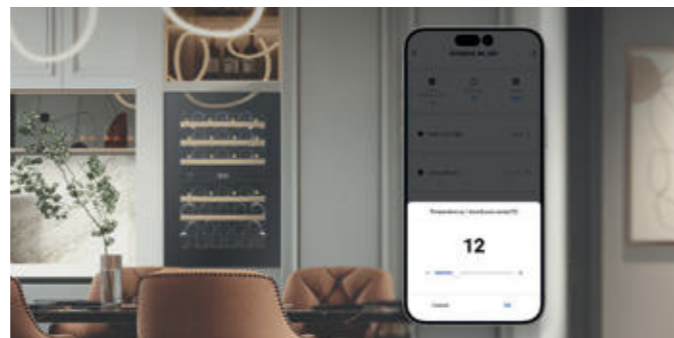
Single & dual temperature zones

Dunavox wine coolers are available with one or two cooling zones. Configuring the desired temperature is easy at single, dual or even three cooling zone wine coolers.



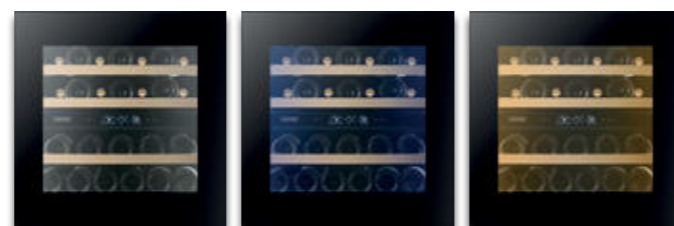
WiFi & Smart App

Stay effortlessly connected to your collection. Monitor and adjust your cooler from anywhere with WiFi and a dedicated smart app.



Multi LED light

Tailor the ambience with adjustable white, amber or blue lighting, and a choice of modes to suit every occasion.



Various display technologies

A smarter way to chill - beautifully displayed

TFT touch screen

An intuitive, full-colour touch display provides smooth, responsive navigation, giving you complete control over every function and setting directly at your fingertips.



LCD touch screen

The device features detailed touch controls with enhanced functionality, displaying multiple settings and offering users the ability to customize various options according to their preferences.



LED touch screen

A clear, elegant interface for setting temperatures and lighting at the touch of a button.



Shelving systems

Choose the one that suits you best

Telescopic wooden shelves

Extendable, smooth sliding, telescopic shelves provide full visibility and access to all bottles of your collection. Access your wines easily with shelving that pulls all the way out.



Label view shelves

The shelving is designed to provide clear label visibility while maintaining a clean, well-organised interior. Its structured layout keeps bottles neatly aligned and contributes to a balanced, refined overall look.



Opened bottles storage (HOME)

Home series offers a unique feature to store opened bottles in the wine fridges in standing position. The front part of the unit is designed for standing bottle storage.



Places of use

Use the wine cooler - wherever you want

Yacht & Ship installations

Indulge in the luxury of perfectly chilled wines at sea with our state-of-the-art wine fridges aboard cruise ships. Designed to preserve the delicate flavors and aromas of your favorite vintages, our sleek and efficient wine fridges ensure that every sip is as delightful as the first. Elevate your onboard experience with the convenience and sophistication of expertly stored wines, enhancing every moment of your voyage.



Freestanding installations (HOME)

These coolers can't be built-in or placed under a counter. Only the freestanding installation is allowed because these coolers don't have a regular front grid where the ventilation can be done. For proper functioning the units require free space around them.

The condenser is installed inside the corpus, this means the heat extraction happens at the sides and at the top of the cooler. That's why it's crucial to let these units stand freely.



Outdoor placement

Dunavox wine coolers are intended to use indoors, however if you follow a few conditions the units can also be used outdoors. Keep the fridge out of direct sunlight, and install it in a covered area protected from rain. Do not keep the unit outside when the ambient temperature falls below 18°C.



DUNAVOX PICTOGRAMS

1

1 Cooling zone

A single-temperature wine cooler designed for storing one type or style of wine at a consistent, ideal temperature. Perfect for long-term preservation of either reds or whites, ensuring stable conditions throughout the cabinet.

2

2 Cooling zone

A dual-zone wine cooler equipped with two separate temperature compartments. Perfect for storing white, rosé, and red wines at their optimal serving or preservation temperatures within one unit.



Push-to-open

A gentle press opens the door automatically, reflecting the clean aesthetics of today's handle-less kitchen design while offering effortless accessibility.



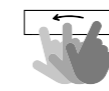
Handle

Classic and functional design: black doors are paired with matching black handles, while Inox doors feature stainless-steel handles. Both provide a refined and ergonomic door-opening solution.



WIFI & Smart App

Stay connected to your collection wherever you are. Through integrated Wi-Fi and a dedicated smart app, you can monitor and control your cooler remotely with precision and ease.



TFT touch screen

A full-colour TFT display provides intuitive navigation for easy setting adjustment and precise temperature control.



LCD touch screen

The sophisticated LCD display offers detailed control options and provides comprehensive feedback on the appliance's operation and settings. Additionally, its customizable lighting functions enhance overall user comfort.



LED touch screen

An intuitive LED interface enables simple temperature and lighting adjustments. Designed for quick operation and elegant visual clarity.



Hidden handle door

A discreetly recessed handle offers a minimalist, contemporary look, aligning with the latest under-counter design trends and premium kitchen aesthetics.



Multi LED light

Adjustable multi-colour LED lighting allows you to create the perfect atmosphere. Choose between white, amber, or blue tones, with various modes to match any setting or mood.



Integrated ventilation

The integrated ventilation system allows seamless integration anywhere in your home without extra plinth vents. The unit is self-ventilating, simplifying installation and avoiding special furniture planning, while preserving clean kitchen aesthetics and optimal cooling.



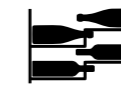
Overlay Panel

An optional overlay door panel allows full visual integration with your kitchen furniture. The wine cooler can be concealed behind matching cabinetry for a flawless, built-in appearance.



Telescopic wooden shelves

Crafted from high-quality wood, these smooth-gliding telescopic shelves extend for easy access and perfect visibility of your wine collection.



Label view shelves

The shelf configuration supports clear label presentation and an orderly interior, ensuring bottles remain neatly positioned and visually well arranged.



Champagne & Prosecco

This dedicated configuration is optimised for storing champagne and prosecco, providing the ideal temperature range for sparkling wines. Shelving and spacing are tailored to accommodate larger bottle formats securely.



Yacht & Ship approved

Dunavox wine coolers bring luxury to life at sea, offering perfect preservation even aboard yachts and cruise vessels. Each model safeguards delicate aromas and flavours, elevating onboard dining with refined wine service.



UV light protection

A UV-filtered glass door protects wines from the harmful effects of sunlight, preserving their aroma and structure. Direct exposure to sunlight should still be avoided to maintain optimal cellar conditions and product longevity.



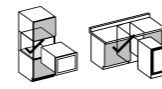
Integrated

Integrated units are designed for installation within kitchen cabinetry. They require rear ventilation and a plinth grille for airflow; without this, cooling may be compromised. Models with an integrated ventilation system need no rear or plinth ventilation.



Undercounter

Undercounter models are designed to fit neatly beneath kitchen worktops, blending seamlessly into the cabinetry. Selected models may also be used as freestanding units, offering installation flexibility without compromising performance.



Fully integrated or undercounter

Thanks to integrated ventilation system, Dunavox coolers can be built into columns or counters with ease. Available across the Noble, Prime, Horizon and Spirit collections.



Bottle loading

Bottle loading diagrams show the maximum number of bottles that fit in the cabinet. Actual capacity varies with bottle shape and size, and larger or unusual bottles may reduce the total. For details, refer to the product's user manual.



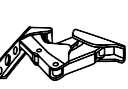
Zone temperatures

Cooling temperatures can be precisely set between 5°C and 20°C in single-zone models. In dual-zone versions, temperatures can be adjusted separately, typically between 5°C and 12°C in the upper zone and 12°C and 20°C in the lower zone.



Noise (dB)

Specifies the average noise emission level of the unit, expressed in decibels (dB). Dunavox coolers are engineered for quiet and low-vibration operation, ensuring minimal disturbance in living or kitchen spaces.



Soft-close hinge

This precision-engineered hinge provides a smooth and controlled door movement through soft-close technology. It eliminates slamming, ensures silent operation, and contributes to both user comfort and product longevity.

DUNAVOX COLLECTION



NOBLE	21
PRIME	21
HORIZON	41
SPIRIT	41
BALANCE	53
JOY	53
FLOW	67
GRANDE	89
SERA	99
HOME	107

NOBLE & PRIME ART OF PERFECTION



NOBLE

DVN-19.TO
DVN-25.TO
DVN-32.TO
DVN-44.TO
DVN-56.TO
DVN-70.TO
DVN-72.TO
DVN-109.TO

PRIME

DVP-19
DVP-25
DVP-32
DVP-44
DVP-70



NOBLE



The Noble Series is defined by quiet elegance and architectural purity. Designed for interiors where every line matters, Noble eliminates visual distraction — no handles, no interruptions, just a seamless, push-to-open surface that becomes part of the furniture. Its 9-language TFT display offers a refined, minimal interface, complemented by silent motion and a controlled climate engineered for precision.

A defining innovation of the Noble Series is its built-in ventilation concept, designed to preserve the purity of kitchen architecture. This smart airflow solution allows the unit to sit harmoniously within the cabinetry without relying on visible venting elements, giving designers greater freedom to create uninterrupted, modern compositions.

Larger-capacity models allow a discreet yet elevated presentation with label shelves or display shelves, while Sabbath Mode, iOS & Android smart-app control, and overlay panel options ensure perfect integration into high-end kitchen concepts. Noble is for those who value understatement: luxury that is felt, not shown.

PRIME

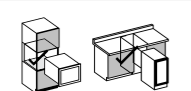


The Prime Series brings a bold, crafted character to premium interiors. Its distinctive handle-on-door design creates a tactile, expressive interaction — a deliberate contrast to the silent minimalism of Noble.

The 9-language TFT interface combines classic ergonomics with modern control, while the robust construction and advanced cooling deliver dependable performance for serious collectors. Prime also benefits from an enhanced self-ventilation architecture, engineered to simplify installation and support a wider range of kitchen layouts. This smart airflow design offers designers greater flexibility while preserving the cabinet's clean, confident look — a practical refinement that elevates Prime beyond traditional fully integrated models. Larger-capacity models can be equipped with label shelves or display shelves for a more curated, gallery-like presentation. Prime also includes Sabbath Mode, iOS & Android smart-app connectivity, and overlay panel options on selected models, allowing Prime to stand out or blend in — depending on the kitchen concept. Prime is for those who appreciate presence, craftsmanship, and a timeless, confident look.

Specifications, features, and availability may vary by production batch. Some models shown may include the latest design or technical updates not present in earlier versions. All technical and design details on the following pages should be confirmed before ordering.

- TFT touch screen (9 languages)
- Wifi & Smart app
- Integrated ventilation
- Telescopic wooden shelves
- Optional label or display shelves (selected models)
- Overlay Panel option (selected models)
 - Sabbath Mode
 - Multi LED light



Fully integrated or undercounter



UV light protection



Telescopic wooden shelves



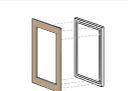
Label view shelves



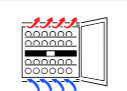
Champagne & prosecco



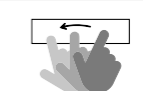
Multi LED light



Overlay Panel



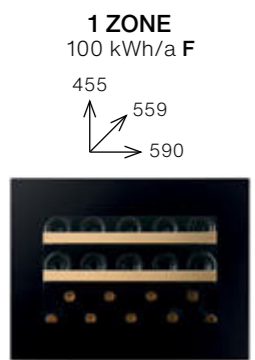
Integrated ventilation



TFT touch screen



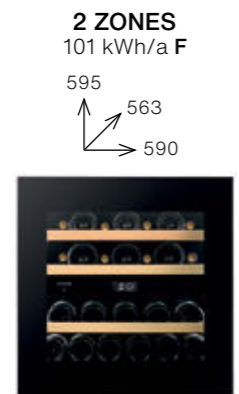
WIFI & Smart app



1 ZONE
100 kWh/a F
455
559
590

45 CM HIGH

Page 24-25



2 ZONES
101 kWh/a F
595
563
590

60 CM HIGH

Page 26-27



2 ZONES
103 kWh/a F
715
563
590

72 CM HIGH

Page 28-29



2 ZONES
106 kWh/a F
882
563
590

88 CM HIGH

Page 30-31



2 ZONES
106 kWh/a F
1055
557
590

105 CM HIGH

Page 32



2 ZONES
112 kWh/a F
1235
571
590

123 CM HIGH

Page 34-35



2 ZONES
168 kWh/a G
1784
565
590

178 CM HIGH

Page 36



2 ZONES
168 kWh/a G
1784
565
590

178 CM HIGH

Page 38

NOBLE-19.TO



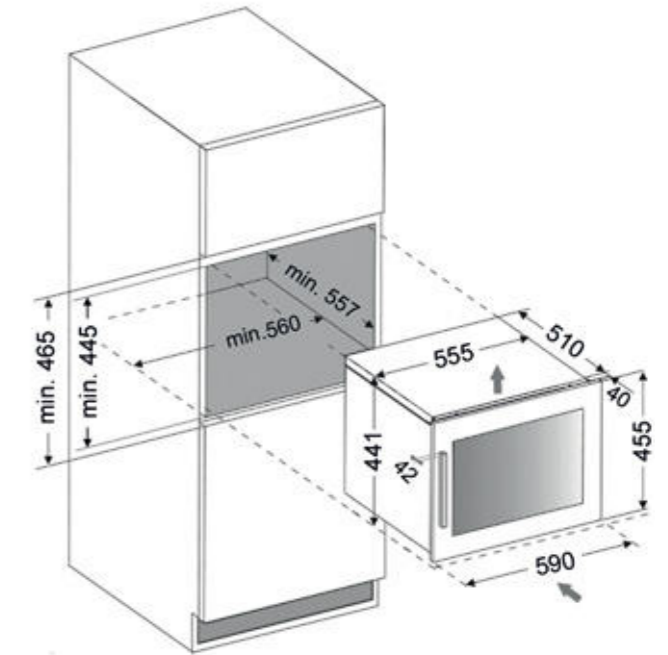
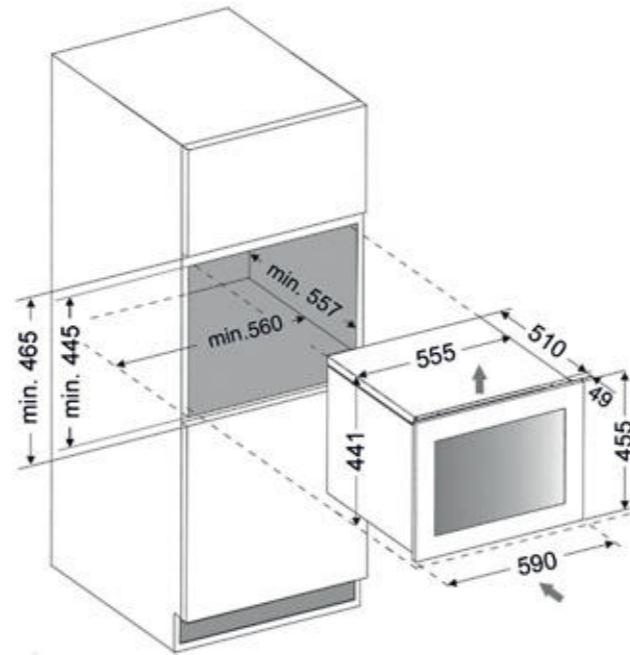
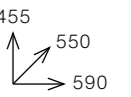
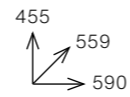
Black Glass DVN-19.50B.TO EAN: 5999558435332



PRIME-19



Black Glass DVP-19.50B EAN: 5999558435462



1

Cooling zone



19



37dB

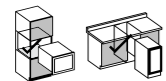


5-18°C

Door options



Black Glass



Fully integrated or undercounter



UV light protection



Telescopic wooden shelves



Champagne & prosecco



Multi LED light



Integrated ventilation



TFT touch screen



WiFi & Smart app

FEATURES	PERFORMANCE
Installation type Fully integrated or undercounter	Cooling zones 1
Bottle capacity 19	Cooling ranges 5-18°C
Type of opening Push-to-open / Handle	Heater No
Type of hinges Soft closing Hettich hinge / Regular (Pivot)	Energy class F
Display type TFT touch screen	Power consumption 100 kWh/a
Operating instructions Suitable for storing champagne bottles	Rated power 220-240V, 50Hz, 0,5A
Installation requirements Integrated ventilation system	Product dimensions (HxWxD) in mm 455x590x559 / 455x590x550
Shelf Telescopic wooden shelves	Packing dimensions (HxWxD) in mm 500x660x650
Low vibration Yes	Noise level 37dB
Interior light Multi LED light (white, amber, blue)	Cooling type Fan assisted cooling, compressor
WiFi & Smart App Yes	Glass door UV protected, 2 layers of glass + Low-E, reversible

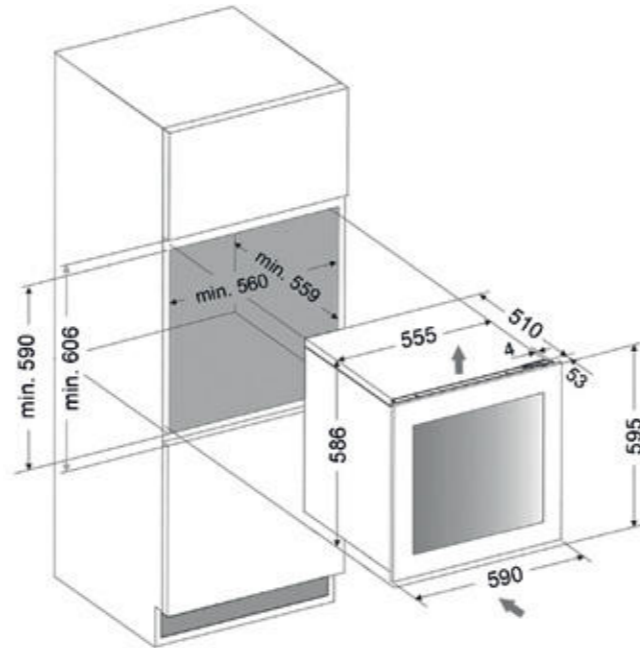
NOBLE-25.TO



Black Glass DVN-25.65DB.TO EAN: 5999558435349



595
563
590



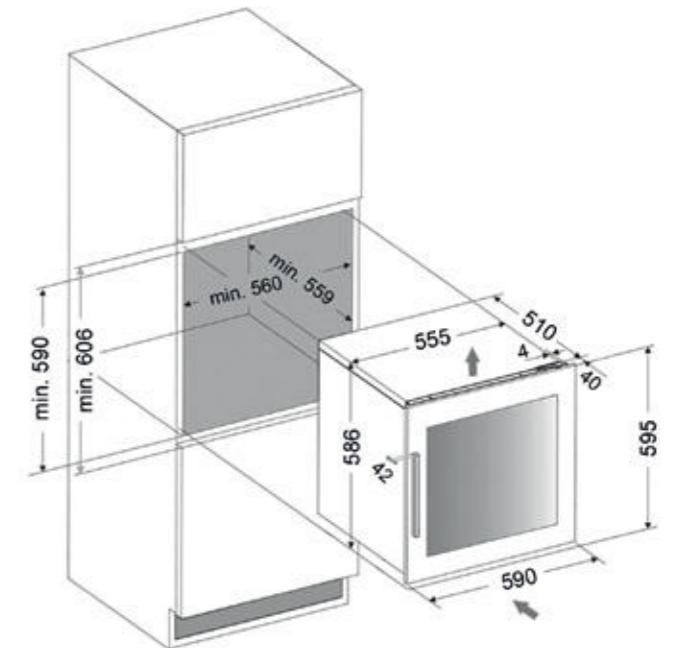
PRIME-25



Black Glass DVP-25.65DB EAN: 5999558435479



595
550
590



2

Cooling zone



25



36dB

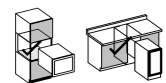


5-10°C
10-18°C

Door options



Black Glass



Fully integrated or undercounter



UV light protection



Telescopic wooden shelves



Champagne & prosecco



Multi LED light



Integrated ventilation



TFT touch screen



WiFi & Smart app

FEATURES

Installation type

Fully integrated or undercounter

Bottle capacity

25

Type of opening

Push-to-open / Handle

Type of hinges

Soft closing Hettich hinge / Regular (Pivot)

Display type

TFT touch screen

Operating instructions

Suitable for storing champagne bottles

Installation requirements

Integrated ventilation system

Shelf

Telescopic wooden shelves

Low vibration

Yes

Interior light

Multi LED light (white, amber, blue)

WiFi & Smart App

Yes

PERFORMANCE

Cooling zones

2

Cooling ranges

5-10°C // 10-18°C

Heater

Yes

Energy class

F

Power consumption

101 kWh/a

Rated power

220-240V, 50Hz, 0,6A

Product dimensions (HxWxD) in mm

595x590x563 / 595x590x550

Packing dimensions (HxWxD) in mm

645x650x660

Noise level

36dB

Cooling type

Fan assisted cooling, inverter compressor

Glass door

UV protected, 2 layers of glass + Low-E, reversible

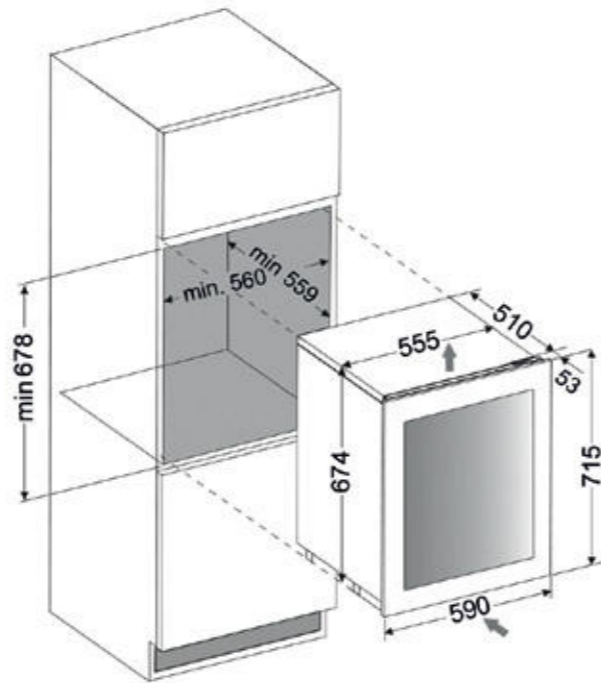
NOBLE-32.TO



Black Glass DVN-32.85DB.TO EAN: 5999558436417
 Overlay Panel DVN-32.85DOP.TO EAN: 5999558436414



715
563
590



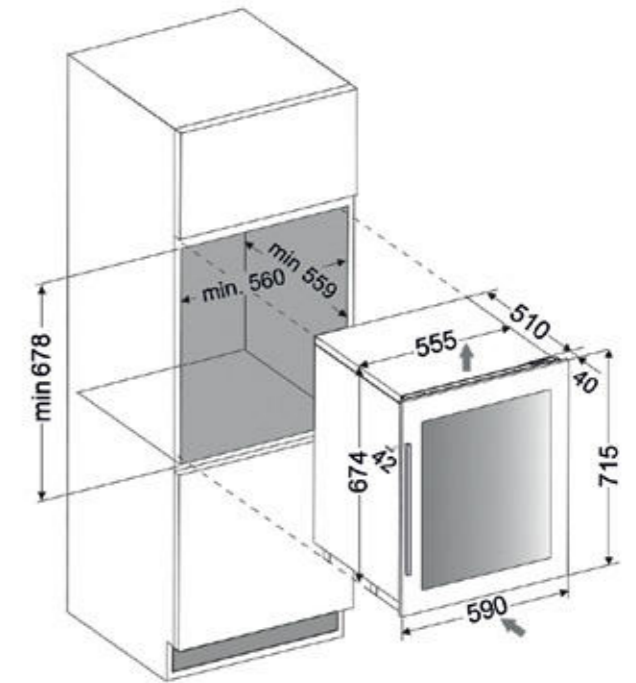
PRIME-32



Black Glass DVP-32.85DB EAN: 5999558436537



715
550
590



2

Cooling zone



32



36dB



5-10°C
10-18°C

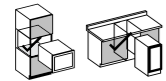
Door options



Black Glass



Overlay Panel



Fully integrated or undercounter



UV light protection



Telescopic wooden shelves



Champagne & prosecco



Multi LED light



Integrated ventilation



TFT touch screen



WiFi & Smart app

FEATURES	PERFORMANCE
Installation type Fully integrated or undercounter	Cooling zones 2
Bottle capacity 32	Cooling ranges 5-10°C // 10-18°C
Type of opening Push-to-open / Handle	Heater Yes
Type of hinges Soft closing Hettich hinge / Regular (Pivot)	Energy class F
Display type TFT touch screen	Power consumption 103 kWh/a
Operating instructions Suitable for storing champagne bottles	Rated power 220-240V, 50Hz, 0,6A
Installation requirements Integrated ventilation system	Product dimensions (HxWxD) in mm 715x590x563 / 715x590x550
Shelf Telescopic wooden shelves	Packing dimensions (HxWxD) in mm 765x650x660
Low vibration Yes	Noise level 36dB
Interior light Multi LED light (white, amber, blue)	Cooling type Fan assisted cooling, inverter compressor
WiFi & Smart App Yes	Glass door UV protected, 2 layers of glass + Low-E, reversible

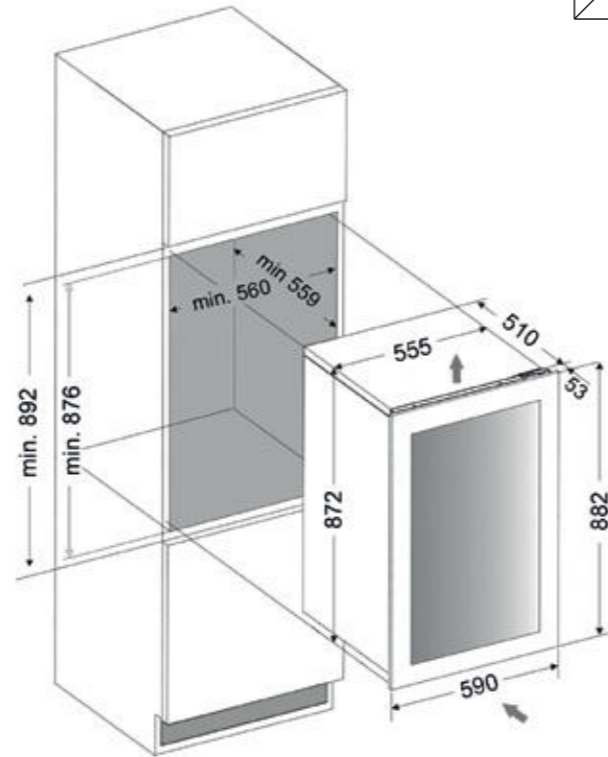
NOBLE-44.TO



Black Glass DVN-44.120DB.TO EAN: 5999558435356



882
563
590



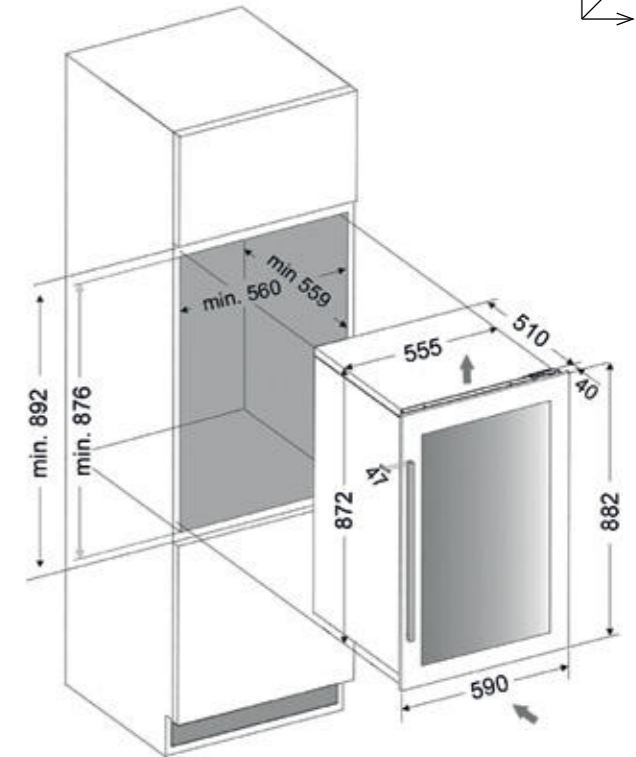
PRIME-44



Black Glass DVP-44.120DB EAN: 5999558435486



882
550
590



2

Cooling zone



44



36dB

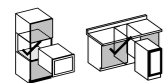


5-10°C
10-18°C

Door options



Black Glass



Fully integrated or undercounter



UV light protection



Telescopic wooden shelves



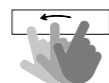
Champagne & prosecco



Multi LED light



Integrated ventilation



TFT touch screen



WiFi & Smart app

FEATURES

Installation type

Fully integrated or undercounter

Bottle capacity

44

Type of opening

Push-to-open / Handle

Type of hinges

Soft closing Hettich hinge / Regular (Pivot)

Display type

TFT touch screen

Operating instructions

Suitable for storing champagne bottles

Installation requirements

Integrated ventilation system

Shelf

Telescopic wooden shelves

Low vibration

Yes

Interior light

Multi LED light (white, amber, blue)

WiFi & Smart App

Yes

PERFORMANCE

Cooling zones

2

Cooling ranges

5-10°C // 10-18°C

Heater

Yes

Energy class

F

Power consumption

106 kWh/a

Rated power

220-240V, 50Hz, 0,6A

Product dimensions (HxWxD) in mm

882x590x563 / 882x590x550

Packing dimensions (HxWxD) in mm

930x650x660

Noise level

36dB

Cooling type

Fan assisted cooling, inverter compressor

Glass door

UV protected, 2 layers of glass + Low-E, reversible

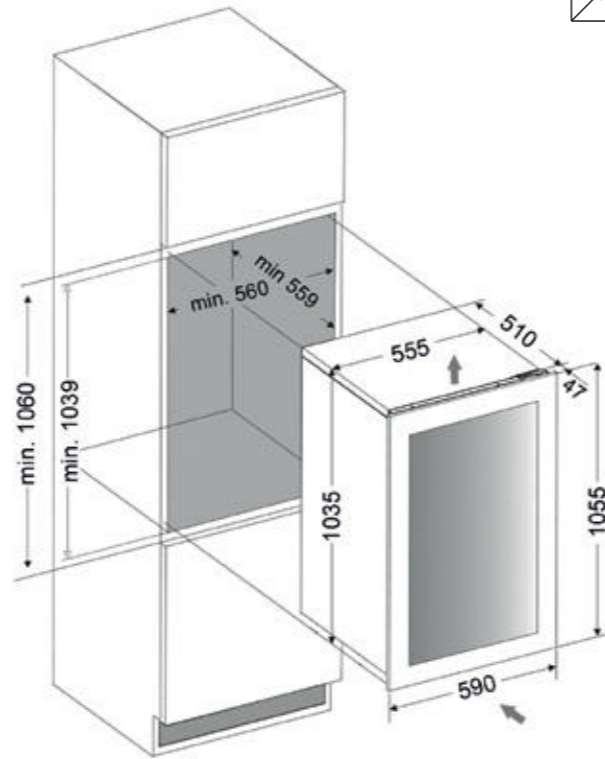
NOBLE-56.TO



Black Glass DVN-56.146DB.TO EAN: 5999558436599



1055
557
590



2

Cooling zone



56



36dB



5-10°C
10-18°C

Door options



Black Glass



Integrated



UV light protection



Telescopic wooden shelves



Champagne & prosecco



Multi LED light



Integrated ventilation



TFT touch screen



WiFi & Smart app

FEATURES

Installation type

Fully integrated

Bottle capacity

56

Type of opening

Push-to-open

Type of hinges

Soft closing Hettich hinge

Display type

TFT touch screen

Operating instructions

Suitable for storing champagne bottles

Installation requirements

Integrated ventilation system

Shelf

Telescopic wooden shelves

Low vibration

Yes

Interior light

Multi LED light (white, amber, blue)

WiFi & Smart App

Yes

PERFORMANCE

Cooling zones

2

Cooling ranges

5-10°C // 10-18°C

Heater

Yes

Energy class

F

Power consumption

106 kWh/a

Rated power

220-240V, 50Hz, 0,6A

Product dimensions (HxWxD) in mm

1055x590x557

Packing dimensions (HxWxD) in mm

1100x650x660

Noise level

36dB

Cooling type

Fan assisted cooling, inverter compressor

Glass door

UV protected, 2 layers of glass + Low-E, reversible

NOBLE-70.TO



Black Glass DVN-70.185DB.TO EAN: 5999558435592



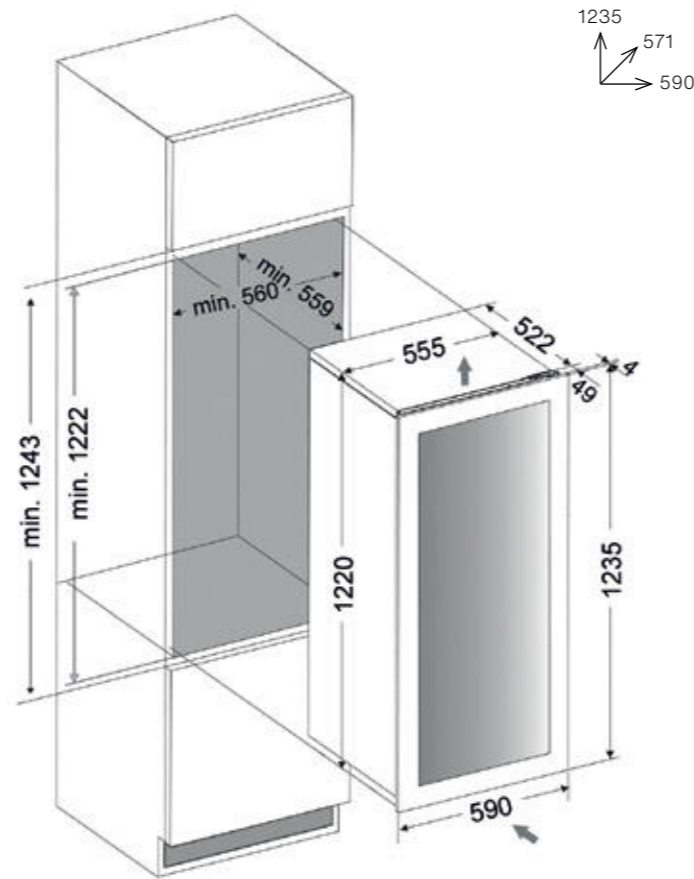
PRIME-70



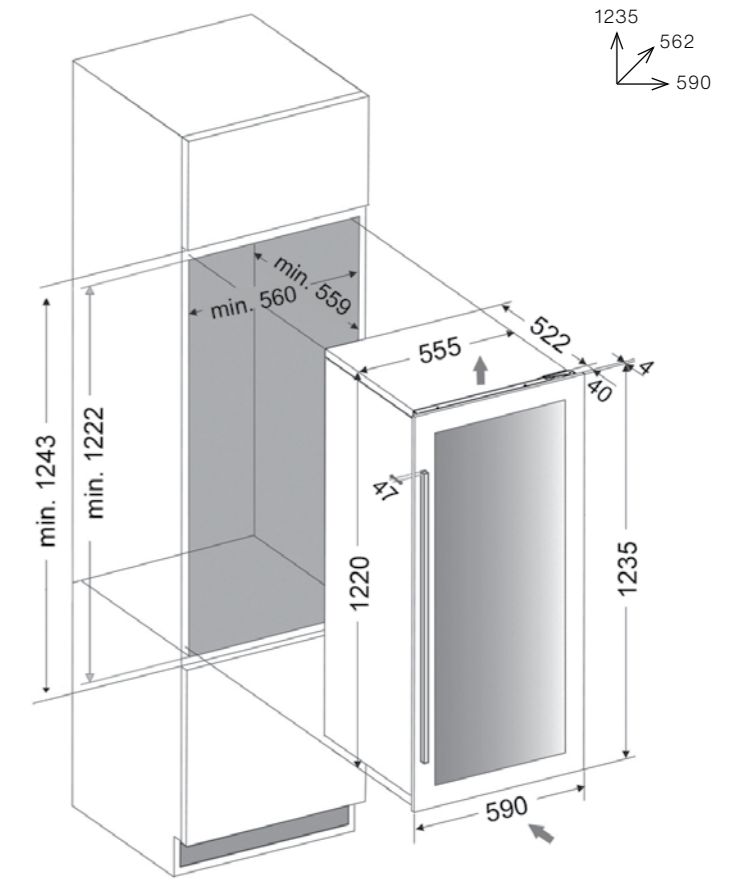
Black Glass DVP-70.185DB EAN: 5999558435622



NOBLE
PRIME



NOBLE
PRIME



2

Cooling zone



70



36dB



5-10°C
10-18°C

Door options



Black Glass



Integrated



UV light protection



Telescopic wooden shelves



Champagne & prosecco



Multi LED light



Integrated ventilation



TFT touch screen



WiFi & Smart app

FEATURES	PERFORMANCE
----------	-------------

Installation type
Fully integrated

Bottle capacity
70

Type of opening
Push-to-open / Handle

Type of hinges
Soft closing Hettich hinge / Regular (Pivot)

Display type
TFT touch screen

Operating instructions
Suitable for storing champagne bottles

Installation requirements
Integrated ventilation system

Shelf
Telescopic wooden shelves & display shelf

Low vibration
Yes

Interior light
Multi LED light (white, amber, blue)

WiFi & Smart App
Yes

Cooling zones
2

Cooling ranges
5-10°C // 10-18°C

Heater
Yes

Energy class
F

Power consumption
112 kWh/a

Rated power
220-240V, 50Hz, 0,75A

Product dimensions (HxWxD) in mm
1235x590x571 / 1235x590x562

Packing dimensions (HxWxD) in mm
1275x650x660

Noise level
36dB

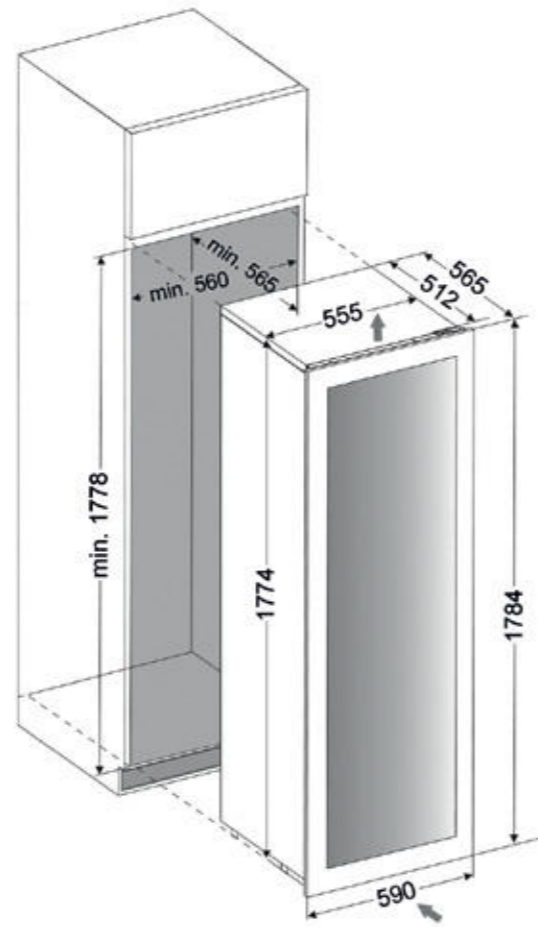
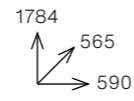
Cooling type
Fan assisted cooling, inverter compressor

Glass door
UV protected, 2 layers of glass + Low-E, reversible

NOBLE-72.TO



Black Glass DVN-72.291DB.TO EAN: 5999558436544



NOBLE PRIME

NOBLE PRIME

2

Cooling zone



72



40dB



5-10°C
10-18°C

Door options



Black Glass



Integrated



UV light protection



Label view shelves



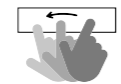
Champagne & prosecco



Multi LED light



Integrated ventilation



TFT touch screen



WiFi & Smart app

FEATURES

Installation type

Fully integrated

Bottle capacity

72

Type of opening

Push-to-open

Type of hinges

Soft closing Hettich hinge

Display type

TFT touch screen

Operating instructions

Suitable for storing champagne bottles

Installation requirements

Integrated ventilation system

Shelf

Label view shelves

Low vibration

Yes

Interior light

Multi LED light (white, amber, blue)

WiFi & Smart App

Yes

PERFORMANCE

Cooling zones

2

Cooling ranges

5-10°C // 10-18°C

Heater

Yes

Energy class

G

Power consumption

168 kWh/a

Rated power

220-240V, 50Hz, 0,75A

Product dimensions (HxWxD) in mm

1784x590x565

Packing dimensions (HxWxD) in mm

1835x650x660

Noise level

40dB

Cooling type

Fan assisted cooling, inverter compressor

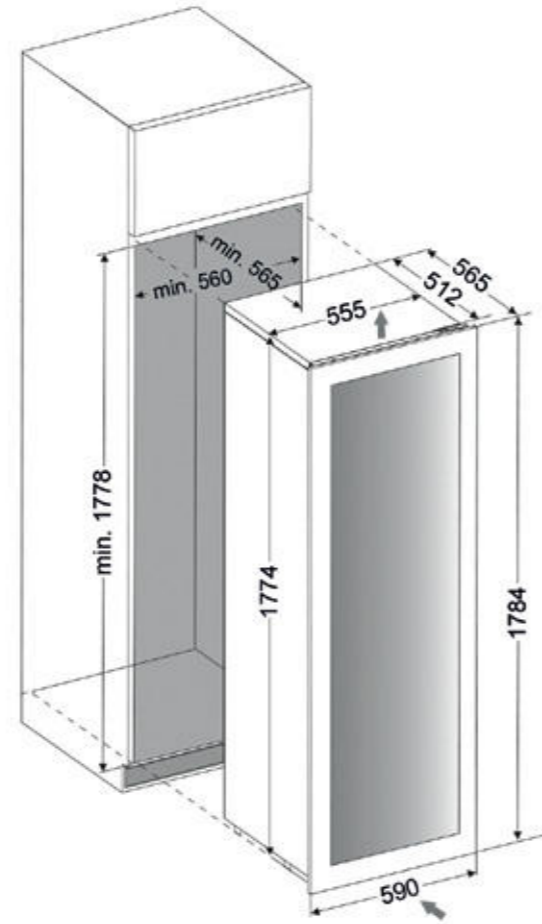
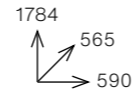
Glass door

UV protected, 2 layers of glass + Low-E, reversible

NOBLE-109.TO



Black Glass DVN-109.291DB.TO EAN: 5999558436421
 Overlay Panel DVN-109.291DOP.TO EAN: 5999558436438



NOBLE
PRIME

NOBLE
PRIME

2

Cooling zone



109



40dB



5-10°C
10-18°C

Door options



Black Glass



Overlay Panel



Integrated



UV light protection



Telescopic wooden shelves



Champagne & prosecco



Multi LED light



Integrated ventilation



TFT touch screen



WiFi & Smart app

FEATURES

Installation type

Fully integrated

Bottle capacity

109

Type of opening

Push-to-open

Type of hinges

Soft closing Hettich hinge

Display type

TFT touch screen

Operating instructions

Suitable for storing champagne bottles

Installation requirements

Integrated ventilation system

Shelf

Telescopic wooden shelves & display shelf

Low vibration

Yes

Interior light

Multi LED light (white, amber, blue)

WiFi & Smart App

Yes

PERFORMANCE

Cooling zones

2

Cooling ranges

5-10°C // 10-18°C

Heater

Yes

Energy class

G

Power consumption

168 kWh/a

Rated power

220-240V, 50Hz, 0,75A

Product dimensions (HxWxD) in mm

1784x590x565

Packing dimensions (HxWxD) in mm

1835x650x660

Noise level

40dB

Cooling type

Fan assisted cooling, inverter compressor

Glass door

UV protected, 2 layers of glass + Low-E, reversible

HORIZON & SPIRIT
EVERYDAY LUXURY

HORIZON
SPIRIT

HORIZON

DVH-19.TO
DVH-25.TO
DVH-44.TO
DVH-70.TO

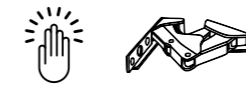
SPIRIT

DVS-19
DVS-25
DVS-44
DVS-70

HORIZON
SPIRIT



HORIZON



The Horizon Series is designed for those who value clean geometry, quiet functionality and the simplicity of a seamless front. With its push-to-open design, Horizon maintains an uninterrupted aesthetic that merges effortlessly with contemporary kitchen furniture. Its refined LCD touch screen adds a subtle modern accent, offering clear and intuitive control. Beyond its visual purity, Horizon is built for smooth everyday use: telescopic wooden shelves, consistent climate performance, and WiFi-enabled Smart App connectivity ensure that convenience is always at hand. Horizon distinguishes itself with a concealed air-channel architecture, a design that guides airflow discreetly through the cabinet structure. This thoughtful engineering means the appliance can integrate neatly into furniture without the usual ventilation compromises, allowing designers and homeowners to preserve the clean, continuous look of modern interiors. For those seeking understated luxury and effortless practicality, Horizon brings a calm, modern presence into daily living.

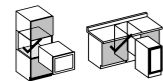
SPIRIT



The Spirit Series offers a warm, tactile interpretation of integrated wine storage. Its handle-on-door opening delivers a familiar and confident movement, ideal for those who enjoy a more traditional interaction while still embracing contemporary design. Inside, Spirit provides clear functionality through its LCD touch interface, smooth telescopic wooden shelves, and WiFi-compatible Smart App control – ensuring comfort, accessibility and precision every day. A key advantage of Spirit is its performance-driven ventilation pathway, engineered to maintain optimal airflow while allowing the cooler to sit comfortably within fitted cabinetry. This arrangement avoids the need for visible ventilation features, ensuring the appliance installs easily while retaining its distinctive, crafted character. Spirit is designed for those who appreciate reliability, practicality, and the reassuring presence of a well-crafted appliance – bringing a touch of everyday sophistication to the kitchen.

Specifications, features, and availability may vary by production batch. Some models shown may include the latest design or technical updates not present in earlier versions. All technical and design details on the following pages should be confirmed before ordering.

- LCD touch screen
- WiFi + Smart app
- Integrated ventilation system
- Telescopic wooden shelves
 - Multi LED light
 - Demo & Eco mode
 - Dimmable light
- Black Glass, Inox and RAL door finish



Fully integrated or undercounter



UV light protection



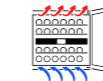
Telescopic wooden shelves



Champagne & prosecco



Multi LED light



Integrated ventilation

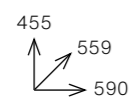


LCD touch screen



WiFi & Smart app

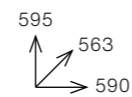
1 ZONE
100 kWh/a F



45 CM HIGH

Page 44-45

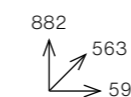
2 ZONES
101 kWh/a F



60 CM HIGH

Page 46-47

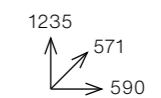
2 ZONES
106 kWh/a F



88 CM HIGH

Page 48-49

2 ZONES
112 kWh/a F



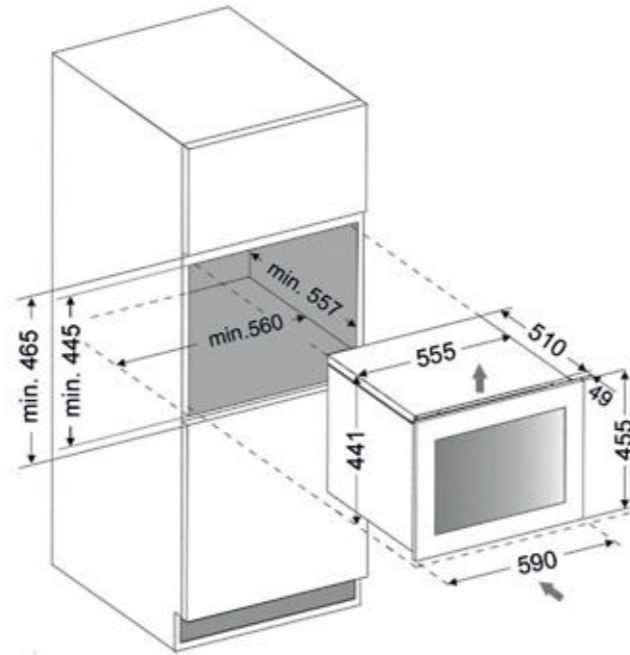
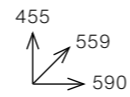
123 CM HIGH

Page 50-51

HORIZON-19.TO



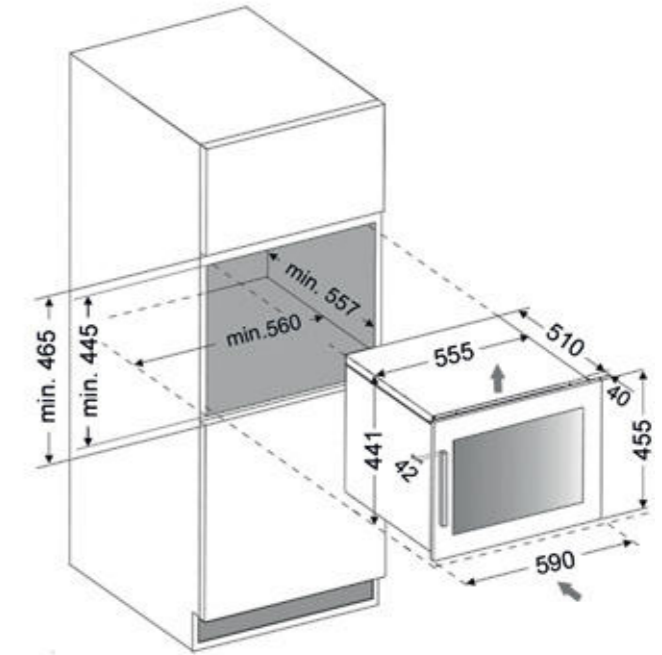
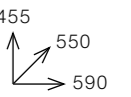
Black Glass DVH-19.50B.TO EAN: 5999558435363
Inox DVH-19.50SS.TO EAN: 5999558435370
Matt Black DVH-19.50MB.TO EAN: 5999558436070
RAL Colour DVH-19.50C.TO EAN: 5999558436117



SPIRIT-19



Black Glass DVS-19.50B EAN: 5999558435493
Inox DVS-19.50SS EAN: 5999558435509
Matt Black DVS-19.50MB EAN: 5999558435998
RAL Colour DVS-19.50C EAN: 5999558436032



HORIZON
SPIRIT

HORIZON
SPIRIT

1

Cooling zone



19



37dB



5-18°C

Door options



Black Glass



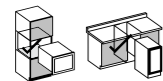
Inox



Matt Black



RAL



Fully integrated or undercounter



UV light protection



Telescopic wooden shelves



Champagne & prosecco



Multi LED light



Integrated ventilation



LCD touch screen



WIFI & Smart app

FEATURES

Installation type
Fully integrated or undercounter

Bottle capacity
19

Type of opening
Push-to-open / Handle

Type of hinges
Soft closing Hettich hinge / Regular (Pivot)

Display type
LCD touch screen

Operating instructions
Suitable for storing champagne bottles

Installation requirements
Integrated ventilation system

Shelf
Telescopic wooden shelves

Low vibration
Yes

Interior light
Multi LED light (white, amber, blue)

WIFI & Smart App
Yes

PERFORMANCE

Cooling zones
1

Cooling ranges
5-18°C

Heater
No

Energy class
F

Power consumption
100 kWh/a

Rated power
220-240V, 50Hz, 0,5A

Product dimensions (HxWxD) in mm
455x590x559 / 455x590x550

Packing dimensions (HxWxD) in mm
500x660x650

Noise level
37dB

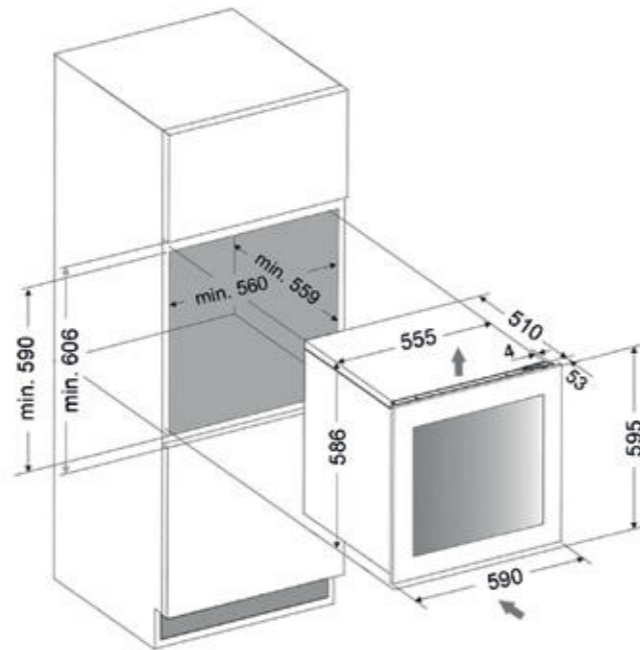
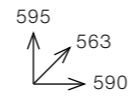
Cooling type
Fan assisted cooling, compressor

Glass door
UV protected, 2 layers of glass + Low-E, reversible

HORIZON-25.TO



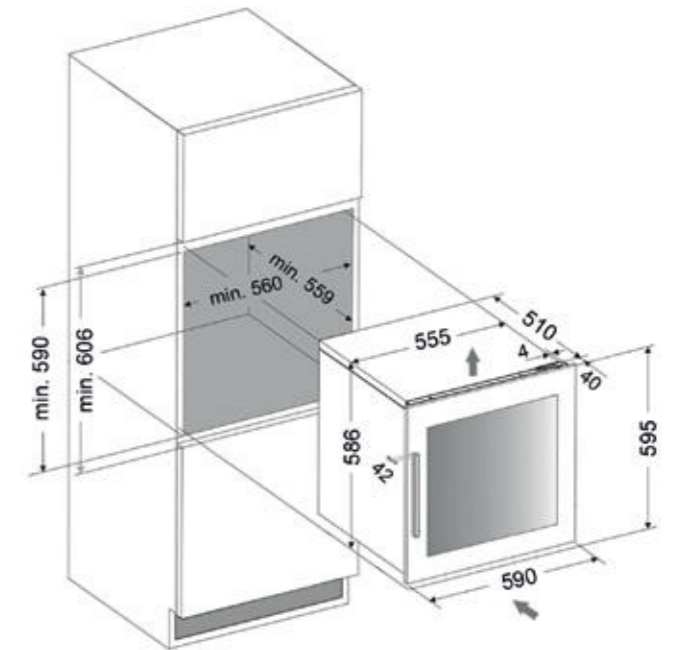
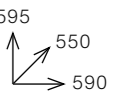
Black Glass DVH-25.65DB.TO EAN: 5999558435387
Inox DVH-25.65DSS.TO EAN: 5999558435394
Matt Black DVH-25.65DMB.TO EAN: 5999558436087
RAL Colour DVH-25.65DC.TO EAN: 5999558436124



SPIRIT-25



Black Glass DVS-25.65DB EAN: 5999558435516
Inox DVS-25.65DSS EAN: 5999558435523
Matt Black DVS-25.65DMB EAN: 5999558436001
RAL Colour DVS-25.65DC EAN: 5999558436049



HORIZON SPIRIT

HORIZON SPIRIT

2

Cooling zone



25



36dB



5-10°C
10-18°C

Door options



Black Glass



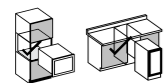
Inox



Matt Black



RAL



Fully integrated or undercounter



UV light protection



Telescopic wooden shelves



Champagne & prosecco



Multi LED light



Integrated ventilation



LCD touch screen



WiFi & Smart app

FEATURES	PERFORMANCE
Installation type Fully integrated or undercounter	Cooling zones 2
Bottle capacity 25	Cooling ranges 5-10°C // 10-18°C
Type of opening Push-to-open / Handle	Heater Yes
Type of hinges Soft closing Hettich hinge / Regular (Pivot)	Energy class F
Display type LCD touch screen	Power consumption 101 kWh/a
Operating instructions Suitable for storing champagne bottles	Rated power 220-240V, 50Hz, 0,6A
Installation requirements Integrated ventilation system	Product dimensions (HxWxD) in mm 595x590x563 / 595x590x550
Shelf Telescopic wooden shelves	Packing dimensions (HxWxD) in mm 645x650x660
Low vibration Yes	Noise level 36dB
Interior light Multi LED light (white, amber, blue)	Cooling type Fan assisted cooling, inverter compressor
WiFi & Smart App Yes	Glass door UV protected, 2 layers of glass + Low-E, reversible

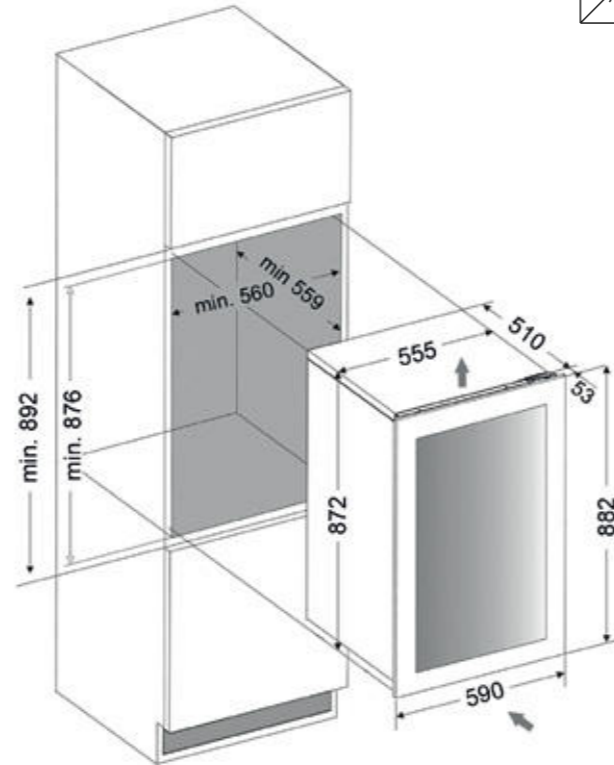
HORIZON-44.TO



Black Glass DVH-44.120DB.TO EAN: 5999558435400
Inox DVH-44.120DSS.TO EAN: 5999558435417
Matt Black DVH-44.120DMB.TO EAN: 5999558436094
RAL Colour DVH-44.120DC.TO EAN: 5999558436131



882
563
590



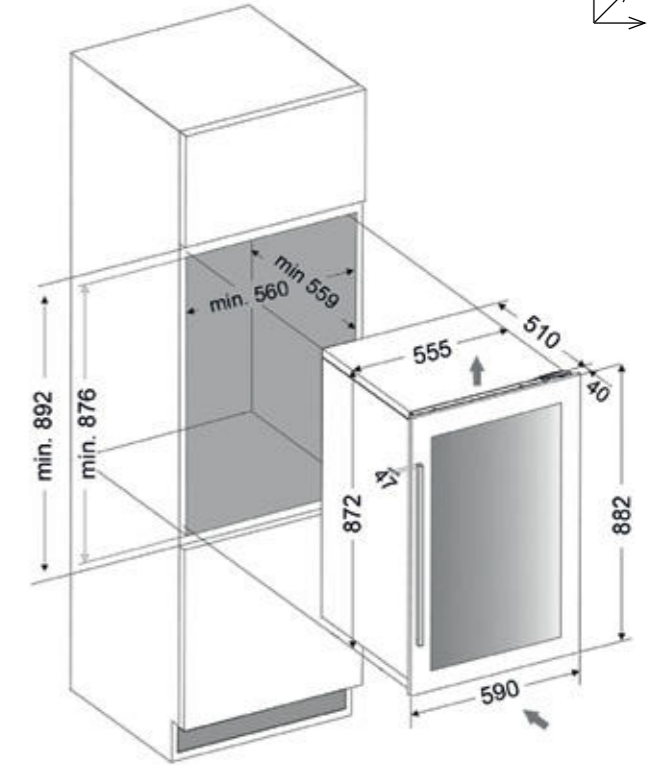
SPIRIT-44



Black Glass DVS-44.120DB EAN: 5999558435530
Inox DVS-44.120DSS EAN: 5999558435547
Matt Black DVS-44.120DMB EAN: 5999558436018
RAL Colour DVS-44.120DC EAN: 5999558436056



882
550
590



HORIZON
SPIRIT

HORIZON
SPIRIT

2

Cooling zone



44



36dB



5-10°C
10-18°C

Door options



Black Glass



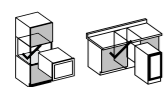
Inox



Matt Black



RAL



Fully integrated or undercounter



UV light protection



Telescopic wooden shelves



Champagne & prosecco



Multi LED light



Integrated ventilation



LCD touch screen



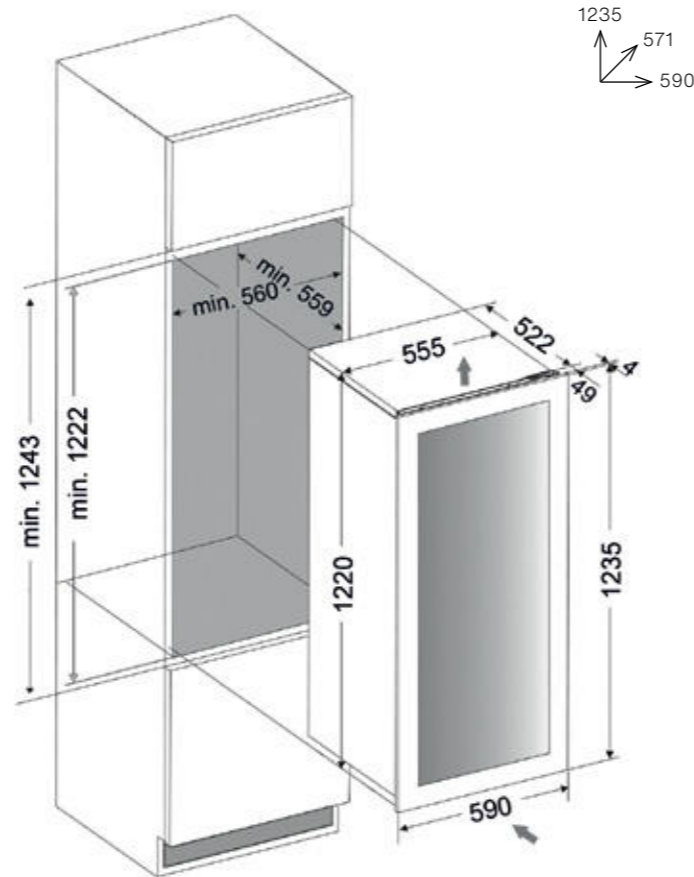
WiFi & Smart app

FEATURES	PERFORMANCE
Installation type Fully integrated or undercounter	Cooling zones 2
Bottle capacity 44	Cooling ranges 5-10°C // 10-18°C
Type of opening Push-to-open / Handle	Heater Yes
Type of hinges Soft closing Hettich hinge / Regular (Pivot)	Energy class F
Display type LCD touch screen	Power consumption 106 kWh/a
Operating instructions Suitable for storing champagne bottles	Rated power 220-240V, 50Hz, 0,6A
Installation requirements Integrated ventilation system	Product dimensions (HxWxD) in mm 882x590x563 / 882x590x550
Shelf Telescopic wooden shelves	Packing dimensions (HxWxD) in mm 930x650x660
Low vibration Yes	Noise level 36dB
Interior light Multi LED light (white, amber, blue)	Cooling type Fan assisted cooling, inverter compressor
WiFi & Smart App Yes	Glass door UV protected, 2 layers of glass + Low-E, reversible

HORIZON-70.TO



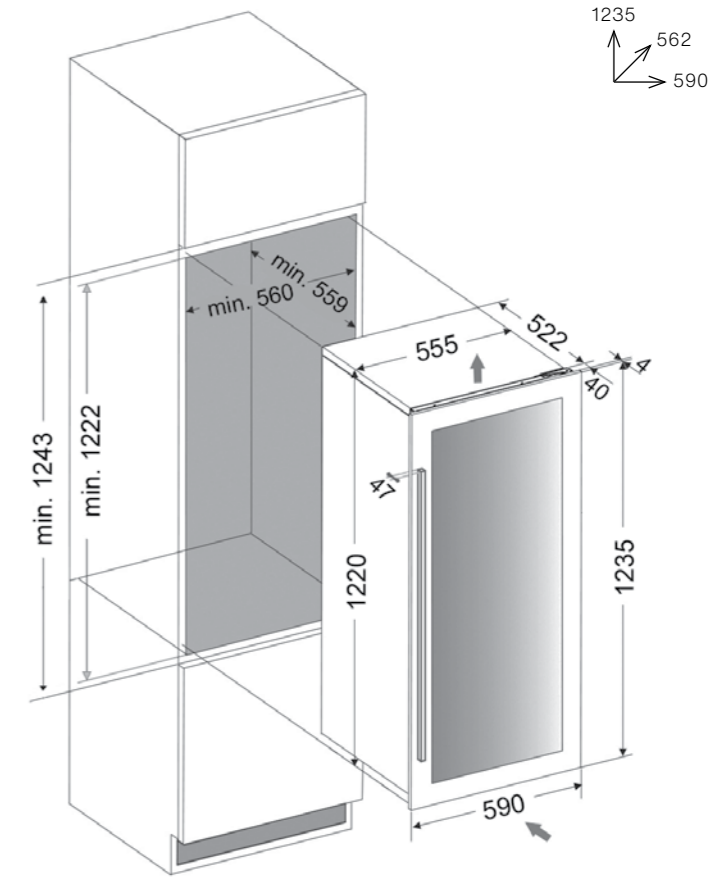
Black Glass DVH-70.185DB.TO EAN: 5999558435608
Inox DVH-70.185DSS.TO EAN: 5999558435615
Matt Black DVH-70.185DMB.TO EAN: 5999558436100
RAL Colour DVH-70.185DC.TO EAN: 5999558436148



SPIRIT-70



Black Glass DVS-70.185DB EAN: 5999558435639
Inox DVS-70.185DSS EAN: 5999558435646
Matt Black DVS-70.185DMB EAN: 5999558436025
RAL Colour DVS-70.185DC EAN: 5999558436063



2

Cooling zone



70



36dB



5-10°C
10-18°C

Door options



Black Glass



Inox



Matt Black



RAL



Integrated



UV light protection



Telescopic wooden shelves



Champagne & prosecco



Multi LED light



Integrated ventilation



LCD touch screen



WiFi & Smart app

FEATURES	PERFORMANCE
Installation type Fully integrated	Cooling zones 2
Bottle capacity 70	Cooling ranges 5-10°C // 10-18°C
Type of opening Push-to-open / Handle	Heater Yes
Type of hinges Soft closing Hettich hinge / Regular (Pivot)	Energy class F
Display type LCD touch screen	Power consumption 112 kWh/a
Operating instructions Suitable for storing champagne bottles	Rated power 220-240V, 50Hz, 0,75A
Installation requirements Integrated ventilation system	Product dimensions (HxWxD) in mm 1235x590x571 / 1235x590x562
Shelf Telescopic wooden shelves	Packing dimensions (HxWxD) in mm 1275x650x660
Low vibration Yes	Noise level 36dB
Interior light Multi LED light (white, amber, blue)	Cooling type Fan assisted cooling, inverter compressor
WiFi & Smart App Yes	Glass door UV protected, 2 layers of glass + Low-E, reversible

BALANCE & JOY
BEAUTY IN HARMONY

BALANCE
JOY



BALANCE

DXB-24.TO
DXB-26.TO
DXB-42.TO
DXB-65.TO

JOY

DXJ-24
DXJ-26
DXJ-42
DXJ-65
DX-89

BALANCE
JOY



BALANCE



The Balance Series embodies the idea that great design doesn't need to shout. With its push-to-open mechanism and handle-free appearance, Balance brings gentle minimalism into any kitchen environment. Its integrated design ensures a clean, harmonious look, while the LED touch screen offers intuitive control over the interior climate. The telescopic wooden shelves glide smoothly, keeping your collection organised and easily accessible. Created for wine lovers who seek quality, simplicity, and affordability, Balance offers a refined storage experience without compromising on aesthetics. The combination of stable performance, discreet lighting, and seamless integration makes Balance the ideal companion for modern homes looking to express beauty through clarity and calm.

JOY



The Joy Series brings a welcoming, tactile approach to integrated wine storage. Its handle-on-door design offers a reassuring and familiar opening motion – perfect for users who enjoy the traditional feel of a crafted handle while maintaining a clean, modern look. Inside, the LED touch interface provides straightforward functionality, and the telescopic wooden shelves ensure smooth, safe access to every bottle. The warm, gentle Multi LED lighting adds a subtle ambient glow, allowing the collection to be displayed with understated charm. Joy is crafted for those who appreciate practical beauty, reliability, and the emotional comfort of classic ergonomics. It brings harmony to daily living, offering an accessible way to enjoy elegant wine storage in any integrated kitchen space.

Specifications, features, and availability may vary by production batch. Some models shown may include the latest design or technical updates not present in earlier versions. All technical and design details on the following pages should be confirmed before ordering.

- LED touch screen
- Telescopic wooden shelves
- Multi LED light

BALANCE
JOY

BALANCE
JOY



Integrated



UV light protection



Telescopic wooden shelves



Champagne & prosecco

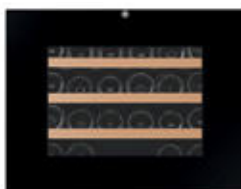


Multi LED light



LED touch screen

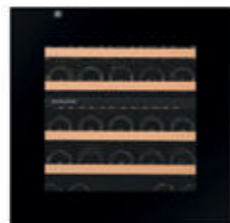
1 ZONE
118 kWh/a G
453
555
590



45 CM HIGH

Page 56-57

2 ZONES
130 kWh/a G
590
565
590



60 CM HIGH

Page 58-59

2 ZONES
126 kWh/a G
885
555
590



88 CM HIGH

Page 60-61

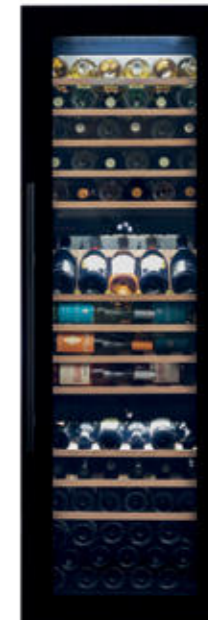
2 ZONES
149 kWh/a G
1233
565
590



123 CM HIGH

Page 62-63

3 ZONES
162 kWh/a G
1786
559
590



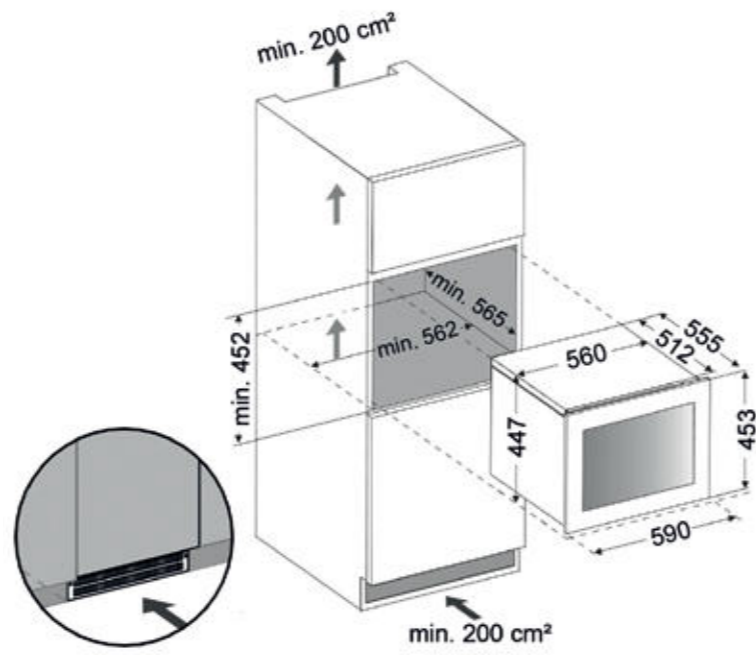
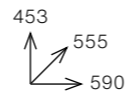
178 CM HIGH

Page 64

BALANCE-24.TO



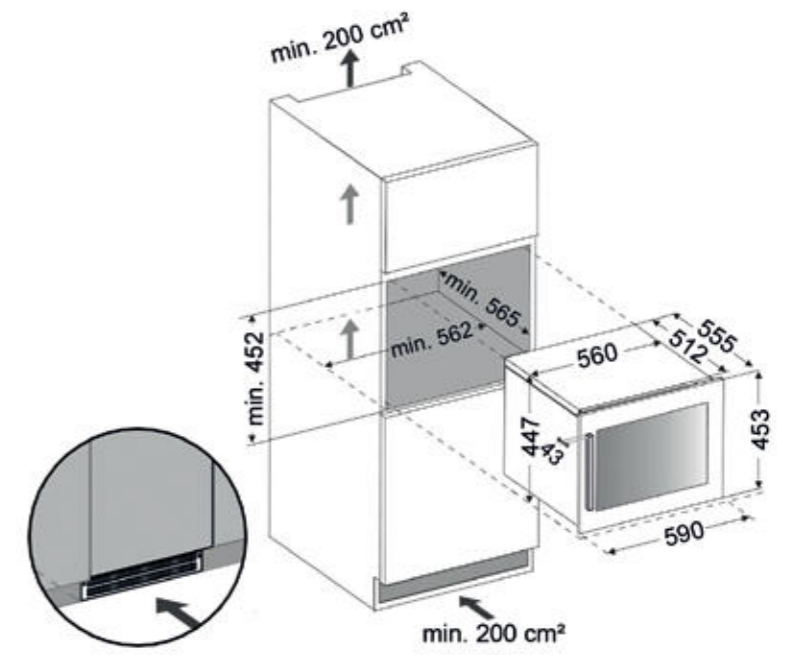
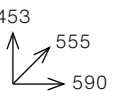
Black Glass DXB-24.51B.TO EAN: 5999558435424



JOY-24



Black Glass DXJ-24.51B EAN: 5999558435554



BALANCE
JOY

BALANCE
JOY

1

Cooling zone



24



39dB



5-20°C

Door options



Black Glass



Integrated



UV light protection



Telescopic wooden shelves



Multi LED light



LED touch screen

FEATURES

Installation type

Built-in only

Bottle capacity

24

Type of opening

Push-to-open / Handle

Type of hinges

Regular (Pivot)

Display type

LED touch screen

Operating instructions

-

Installation requirements

Front and rear plinth ventilation required

Shelf

Telescopic wooden shelves

Low vibration

Yes

Interior light

Multi LED light (white, amber, blue)

WIFI & Smart App

No

PERFORMANCE

Cooling zones

1

Cooling ranges

5-20°C

Heater

No

Energy class

G

Power consumption

118 kWh/a

Rated power

220-240V, 50Hz, 0,5A

Product dimensions (HxWxD) in mm

453x590x555

Packing dimensions (HxWxD) in mm

690x660x670

Noise level

39dB

Cooling type

Fan assisted cooling, compressor

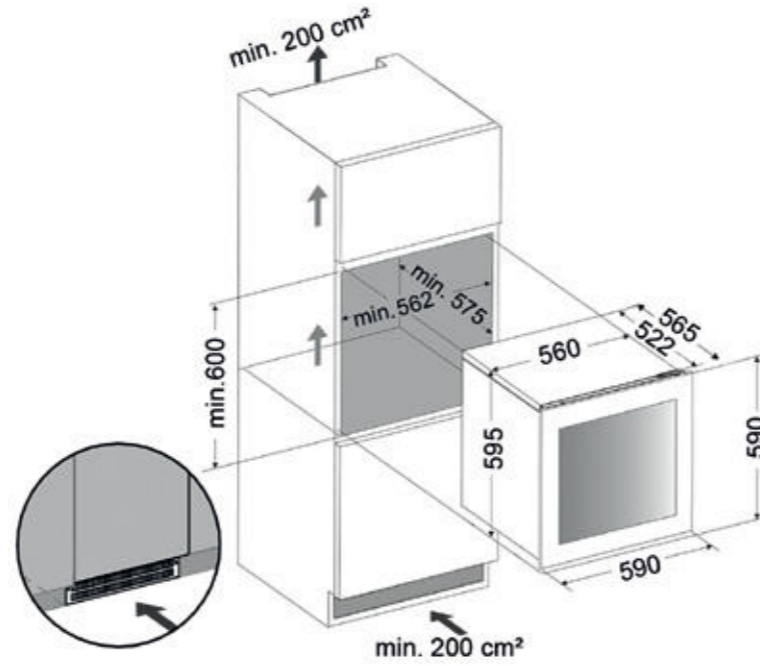
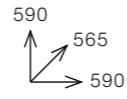
Glass door

UV protected, 3 layers of glass, reversible

BALANCE-26.TO



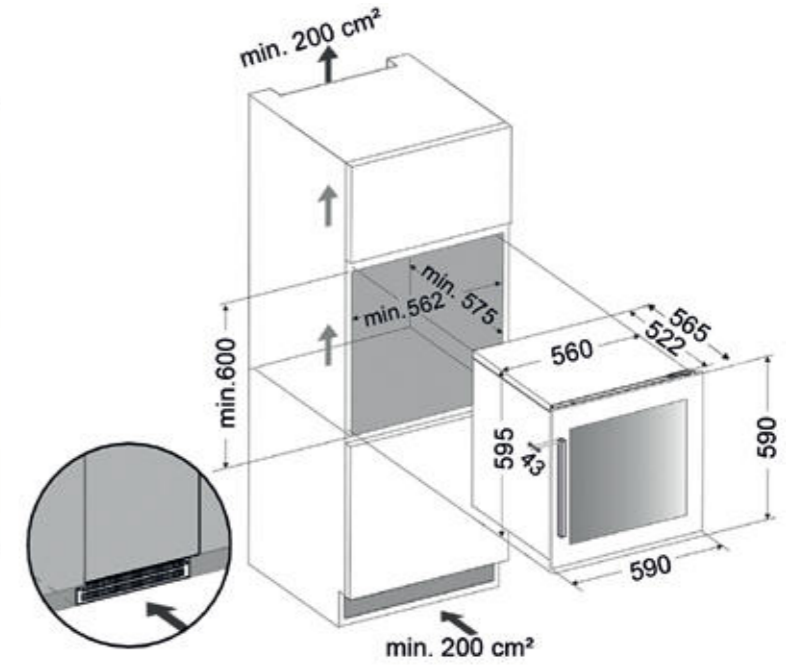
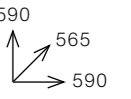
Black Glass DXB-26.69DB.TO EAN: 5999558435431



JOY-26



Black Glass DXJ-26.69DB EAN: 5999558435561



BALANCE
JOY

BALANCE
JOY

2

Cooling zone



26



37dB



10-20°C
5-12°C

Door options



Black Glass



Integrated



UV light protection



Telescopic wooden shelves



Champagne & prosecco



Multi LED light



LED touch screen

FEATURES

Installation type

Built-in only

Bottle capacity

24

Type of opening

Push-to-open / Handle

Type of hinges

Regular (Pivot)

Display type

LED touch screen

Operating instructions

Suitable for storing champagne bottles

Installation requirements

Front and rear ventilation plinth required

Shelf

Telescopic wooden shelves

Low vibration

Yes

Interior light

Multi LED light (white, amber, blue)

WIFI & Smart App

No

PERFORMANCE

Cooling zones

2

Cooling ranges

10-20°C // 5-12°C

Heater

Yes

Energy class

G

Power consumption

130 kWh/a

Rated power

220-240V, 50Hz, 0,5A

Product dimensions (HxWxD) in mm

590x590x565

Packing dimensions (HxWxD) in mm

645x650x660

Noise level

37dB

Cooling type

Fan assisted cooling, compressor

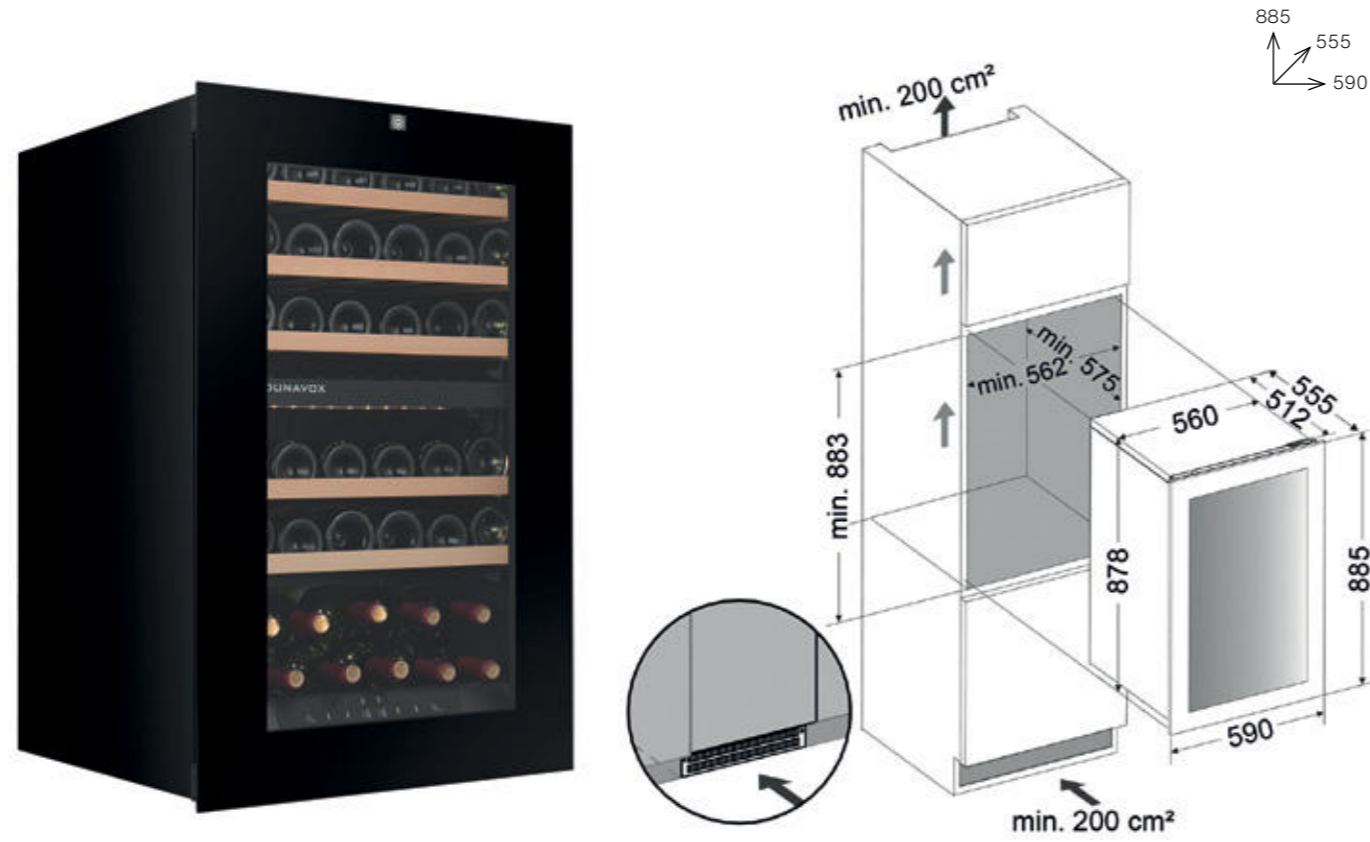
Glass door

UV protected, 3 layers of glass, reversible

BALANCE-42.TO



Black Glass DXB-42.100DB.TO EAN: 5999558435448

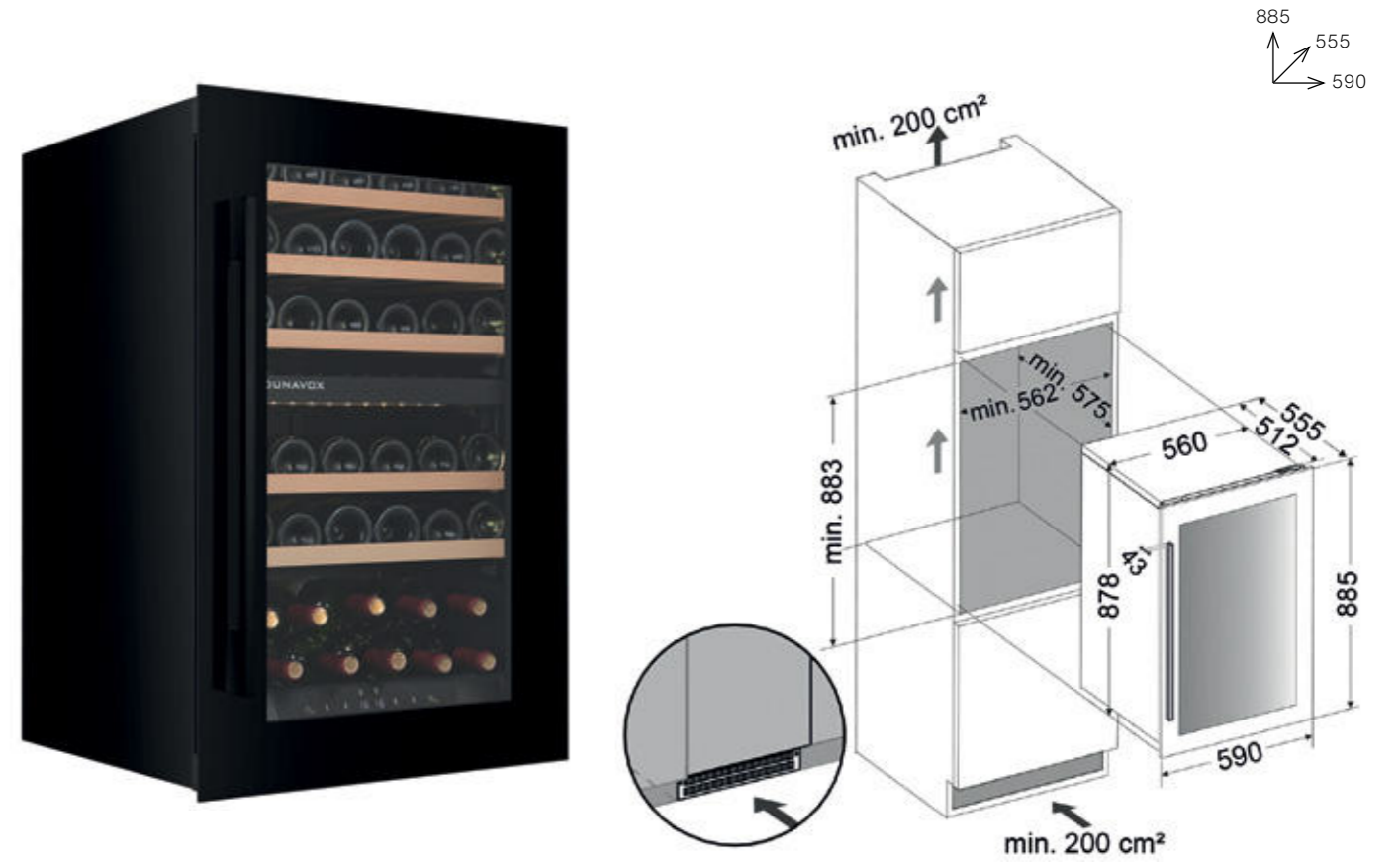


885
555
590

JOY-42



Black Glass DXJ-42.100DB EAN: 5999558435578



885
555
590

2

Cooling zone



42



40dB



5-20°C
5-20°C

Door options



Black Glass



Integrated



UV light protection



Telescopic wooden shelves



Champagne & prosecco



Multi LED light

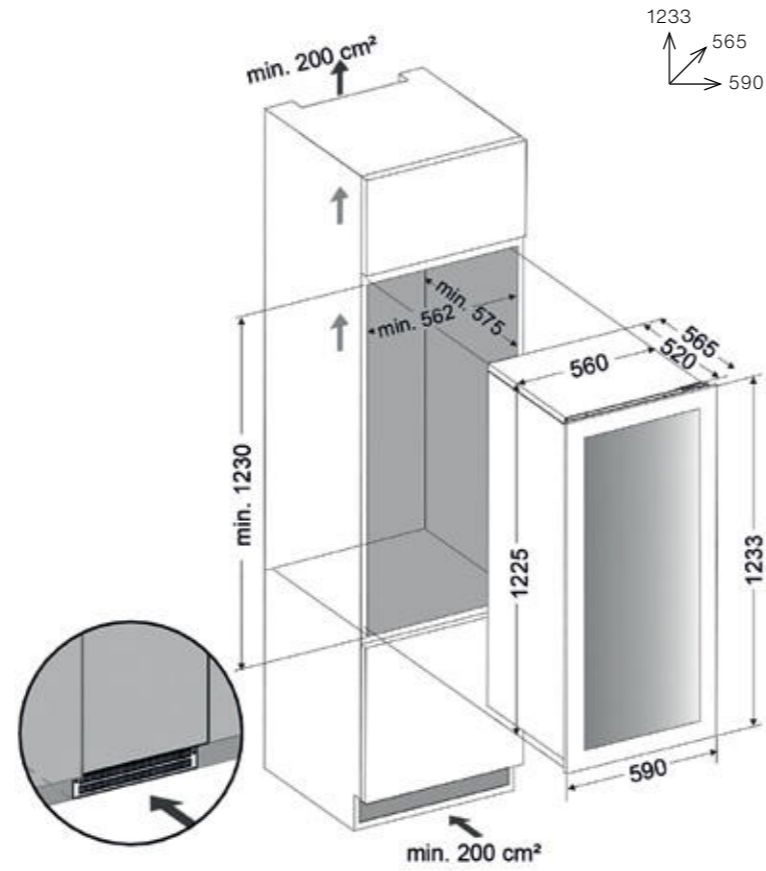


LED touch screen

FEATURES	PERFORMANCE
Installation type Built-in only	Cooling zones 2
Bottle capacity 42	Cooling ranges 5-20°C // 5-20°C
Type of opening Push-to-open / Handle	Heater Yes
Type of hinges Regular (Pivot)	Energy class G
Display type LED touch screen	Power consumption 126 kWh/a
Operating instructions Suitable for storing champagne bottles	Rated power 220-240V, 50Hz, 0,7A
Installation requirements Front and rear ventilation plinth required	Product dimensions (HxWxD) in mm 885x590x555
Shelf Telescopic wooden shelves	Packing dimensions (HxWxD) in mm 930x650x660
Low vibration Yes	Noise level 40dB
Interior light Multi LED light (white, amber, blue)	Cooling type Fan assisted cooling, compressor
WIFI & Smart App No	Glass door UV protected, 3 layers of glass, reversible

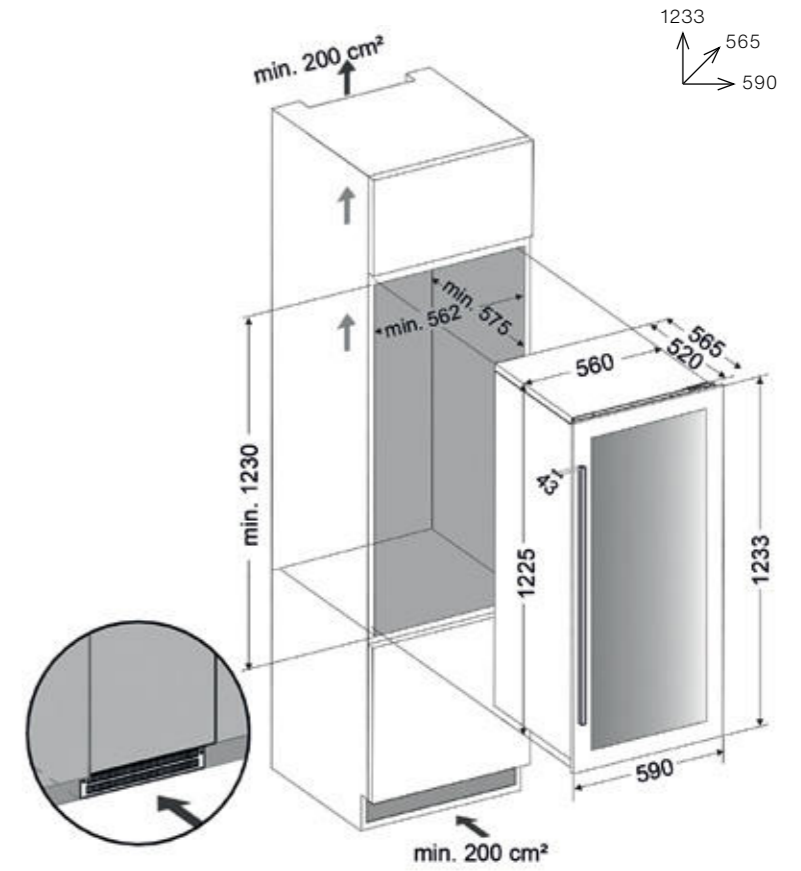
BALANCE-65.TO

Black Glass DXB-65.154DB.TO EAN: 5999558435455



JOY-65

Black Glass DXJ-65.154DB EAN: 5999558435585



BALANCE
JOY

BALANCE
JOY

2

Cooling zone



65



36dB



5-20°C
5-20°C

Door options



Black Glass



Integrated



UV light protection



Telescopic wooden shelves



Champagne & prosecco



Multi LED light



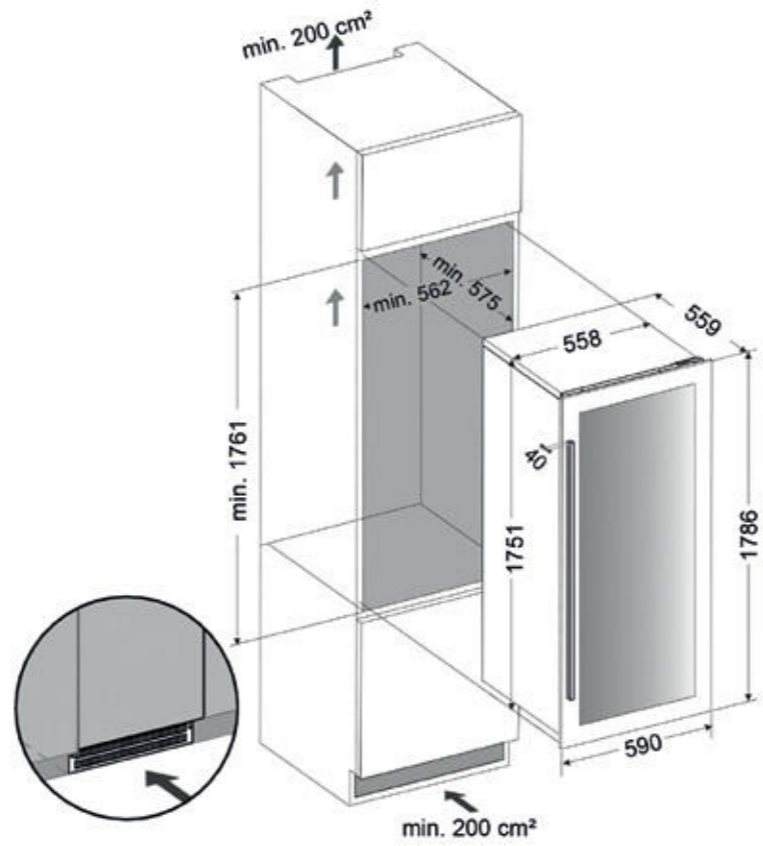
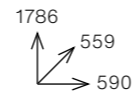
LED touch screen

FEATURES	PERFORMANCE
Installation type Built-in only	Cooling zones 2
Bottle capacity 65	Cooling ranges 5-20°C // 5-20°C
Type of opening Push-to-open / Handle	Heater Yes
Type of hinges Regular (Pivot)	Energy class G
Display type LED touch screen	Power consumption 149 kWh/a
Operating instructions Suitable for storing champagne bottles	Rated power 220-240V, 50Hz, 0,75A
Installation requirements Front and rear ventilation plinth required	Product dimensions (HxWxD) in mm 1233x590x565
Shelf Telescopic wooden shelves	Packing dimensions (HxWxD) in mm 1275x650x660
Low vibration Yes	Noise level 36dB
Interior light Multi LED light (white, amber, blue)	Cooling type Fan assisted cooling, compressor
WIFI & Smart App No	Glass door UV protected, 3 layers of glass, reversible

JOY-89



Black Glass DX-89.246TB EAN: 5999558433444
Inox DX-89.246TSS EAN: 5999558432690
Matt Black DX-89.246TMB EAN: 5999558436278
RAL Colour DX-89.246TC EAN: 5999558436285



BALANCE
JOY

BALANCE
JOY

3

Cooling zone



95



38dB



5-18°C
5-10°C
10-18°C

Door options



Black Glass



Inox



Matt Black



RAL



Integrated



UV light protection



Telescopic wooden shelves



Champagne & prosecco



LED touch screen

FEATURES	PERFORMANCE
Installation type Built-in only	Cooling zones 3
Bottle capacity 95	Cooling ranges 5-18°C // 5-10°C // 10-18°C
Type of opening Handle	Heater Yes
Type of hinges Regular (Pivot)	Energy class G
Display type LED touch screen	Power consumption 162 kWh/a
Operating instructions Suitable for storing champagne bottles	Rated power 220-240V, 50Hz, 0,75A
Installation requirements Front and rear ventilation plinth required	Product dimensions (HxWxD) in mm 1786x590x559
Shelf Telescopic wooden shelves & display shelf	Packing dimensions (HxWxD) in mm 1865x655x660
Low vibration Yes	Noise level 38dB
Interior light White LED light	Cooling type Fan assisted cooling, inverter compressor
WIFI & Smart App No	Glass door UV protected, 2 layers of glass + Low-E, reversible

FLOW
SEAMLESS LIVING

FLOW

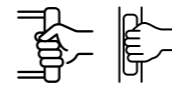
DAUF-8
DAUF-16
DAUF-17
DAUF-17H
DAUF-19
DAUF-32
DAUF-32D
DAUF-38
DAUF-39
DAUF-39.TO
DAUF-41H
DAUF-41.TO
DAUF-45.TO
DAUF-46
DAUF-46D
DAUF-46H

FLOW

FLOW



FLOW



The Flow Series is thoughtfully engineered for homes where seamless integration, smart design, and everyday practicality come together. Created specifically for under-counter installation, Flow coolers fit effortlessly beneath standard kitchen countertops, forming a smooth, continuous furniture line that enhances the overall aesthetic of any interior.

To ensure perfect alignment with all modern kitchens, the Flow collection is available in multiple height formats – including both 82 cm and 88 cm solutions. This flexibility allows designers and homeowners to match cabinet heights flawlessly across different regions and kitchen manufacturers.

The series also provides a variety of opening styles – push-to-open for a clean, handle-free look; traditional handle-on-door for a tactile, familiar interaction; and hidden-handle models for subtle, integrated refinement. For full customisation, selected units also offer an overlay panel option, enabling the wine cooler to disappear completely behind the kitchen furniture.

Inside, Flow coolers combine dependable performance with intuitive usability. Telescopic wooden shelves provide smooth access, while precise temperature control ensures that every bottle is stored under optimal conditions. Built-in ventilation supports flexible installation, allowing the appliance to function with the same reliability as other premium under-counter units.

The Flow collection spans a wide range of capacities and widths – from ultra-slim solutions for compact urban kitchens to wider under-counter units designed for larger collections. Regardless of size, each model delivers a balance of elegance, practicality, and quiet performance, making it an essential part of modern living.

Whether you're seeking a discreet, fully integrated unit or a more pronounced design element, the Flow Series offers a perfectly tailored solution – bringing compact elegance and seamless living into every kitchen.

Specifications, features, and availability may vary by production batch. Some models shown may include the latest design or technical updates not present in earlier versions. All technical and design details on the following pages should be confirmed before ordering.

FLOW

FLOW



Undercounter



UV light protection



Telescopic wooden shelves



Multi LED light



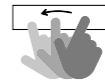
Overlay Panel



LCD touch screen



LED touch screen



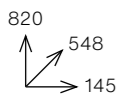
TFT touch screen



WiFi & Smart app

88 CM

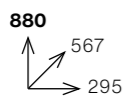
1 ZONE
133 kWh/a
G



15 CM WIDE

Page 70

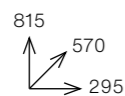
2 ZONES
128 kWh/a
G



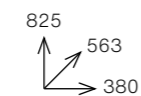
30 CM WIDE

Page 71-74

2 ZONES
135 kWh/a
G



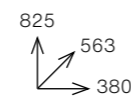
1 ZONE
100 kWh/a
F



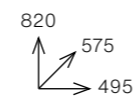
40 CM WIDE

Page 76-77

2 ZONES
125 kWh/a
G



2 ZONES
141 kWh/a
G

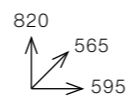


50 CM WIDE

Page 78

88 CM

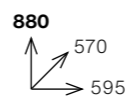
2 ZONES
103 kWh/a
F



60 CM WIDE

Page 79-81

2 ZONES
103 kWh/a
F

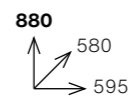


60 CM WIDE

Page 82-83

88 CM

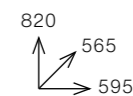
2 ZONES
115 kWh/a
F



60 CM WIDE

Page 84

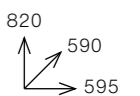
1 ZONE
130 kWh/a
G



60 CM WIDE

Page 85

2 ZONES
141 kWh/a
G



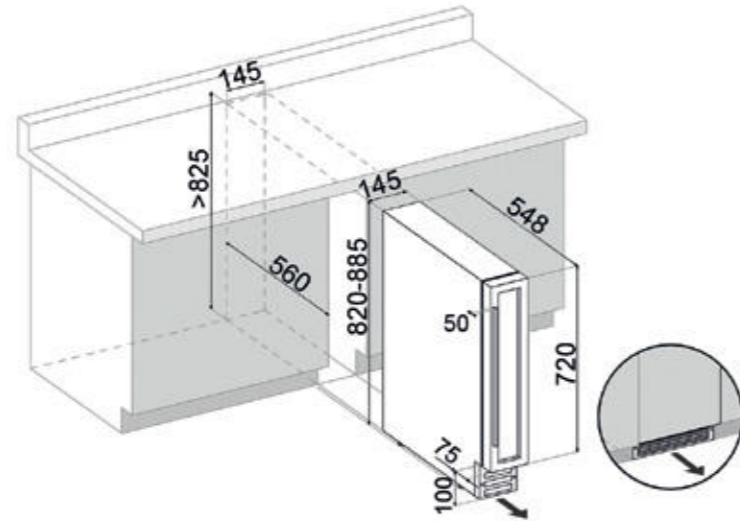
60 CM WIDE

Page 86-87

FLOW-8



Black Glass DAUF-8.23B EAN: 5999558436445
Inox DAUF-8.23SS EAN: 5999558436452
Matt Black DAUF-8.23MB EAN: 5999558436506
RAL Colour DAUF-8.23C EAN: 5999558436513



820
548
145

Door options



Black Glass



Inox



Matt Black



RAL

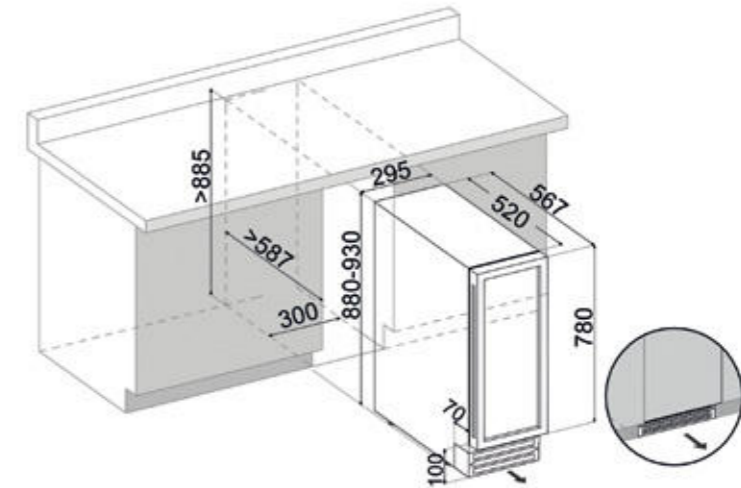
- 1** Cooling zone
- 9
- 39dB
- 5-18°C
- Undercounter
- UV light protection
- LED touch screen

FEATURES	PERFORMANCE
Installation type Undercounter	Cooling zones 1
Bottle capacity 9	Cooling ranges 5-18°C
Type of opening Handle	Heater No
Type of hinges Regular (Pivot)	Energy class G
Display type LED touch screen	Power consumption 133 kWh/a
Operating instructions Suitable for storing bottles in standing position	Rated power 220-240V, 50Hz, 0,5A
Installation requirements Front plinth ventilation	Product dimensions (HxWxD) in mm 820x145x548
Shelf Fixed wooden shelves	Packing dimensions (HxWxD) in mm 860x175x590
Low vibration Yes	Noise level 39dB
Interior light White interior light	Cooling type Fan assisted cooling, compressor
WIFI & Smart App No	Glass door UV protected, 2 layers of glass + Low-E, reversible

FLOW-16H



Black Glass DAUF-16.64DBH EAN: 5999558436575



880
567
295

Door options



Black Glass

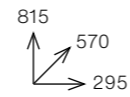
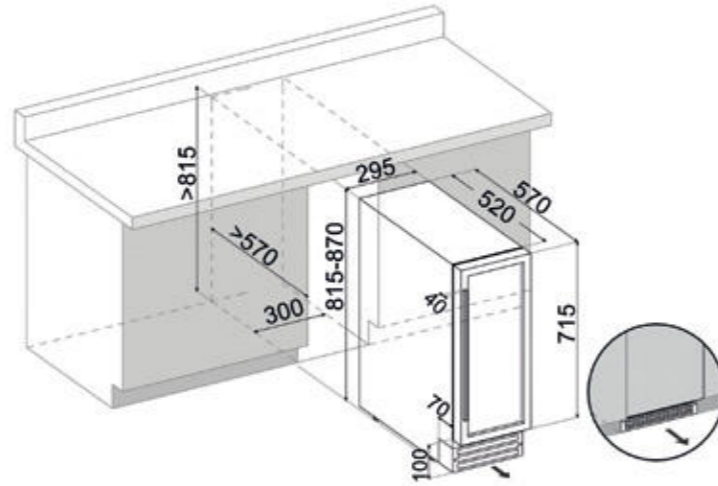
- 2** Cooling zone
- 17
- 40dB
- 5-10°C // 10-18°C
- Undercounter
- UV light protection
- Multi LED light
- TFT touch screen
- WIFI & Smart app

FEATURES	PERFORMANCE
Installation type Undercounter	Cooling zones 2
Bottle capacity 17	Cooling ranges 5-10°C // 10-18°C
Type of opening Hidden handle	Heater Yes
Type of hinges Regular (Pivot)	Energy class G
Display type TFT touch screen	Power consumption 128 kWh/a
Operating instructions Suitable for storing champagne bottles	Rated power 220-240V, 50Hz, 0,45A
Installation requirements Front plinth ventilation	Product dimensions (HxWxD) in mm 880x295x567
Shelf Sliding wooden shelves	Packing dimensions (HxWxD) in mm 940x660x660
Low vibration Yes	Noise level 40dB
Interior light Multi LED light (white, amber, blue)	Cooling type Fan assisted cooling, inverter compressor
WIFI & Smart App Yes	Glass door UV protected, 2 layers of glass + Low-E, reversible

FLOW-17



Black Glass DAUF-17.58DB EAN: 5999558434656
Inox DAUF-17.58DSS EAN: 5999558434670
Matt Black DAUF-17.58DMB EAN: 5999558435745
RAL Colour DAUF-17.58DC EAN: 5999558435752



Door options



Black Glass



Inox



Matt Black



RAL

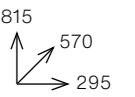
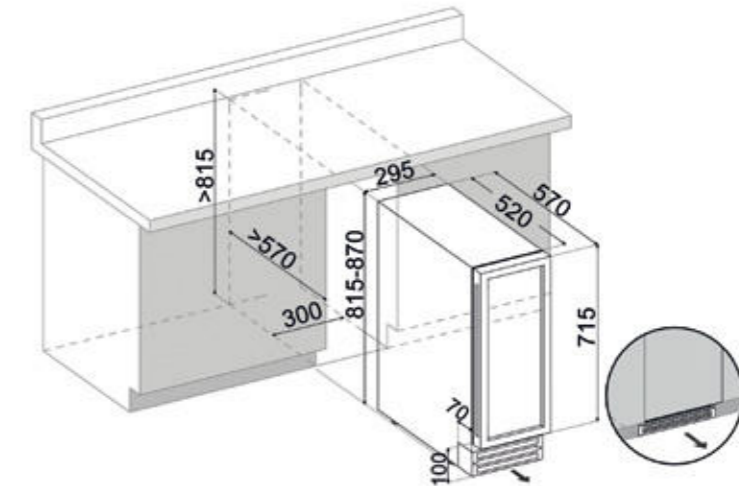
2 Cooling zone
 17 Bottle capacity
 39dB Noise level
 5-12°C / 12-20°C Cooling ranges
 Undercounter Installation type
 UV light protection UV protection
 Multi LED light Interior lighting
 LED touch screen Control type
 RAL Color options

FEATURES	PERFORMANCE
Installation type Undercounter	Cooling zones 2
Bottle capacity 17	Cooling ranges 5-12°C // 12-20°C
Type of opening Handle	Heater Yes
Type of hinges Regular (Pivot)	Energy class G
Display type LED touch screen	Power consumption 135 kWh/a
Operating instructions Adjustable between 10-70mm* height varies between models	Rated power 220-240V, 50Hz, 0,65A
Installation requirements Front plinth ventilation	Product dimensions (HxWxD) in mm 815x295x570
Shelf Sliding wooden shelves	Packing dimensions (HxWxD) in mm 855x330x635
Low vibration Yes	Noise level 39dB
Interior light Multi LED light (white, amber, blue)	Cooling type Fan assisted cooling, compressor
WIFI & Smart App No	Glass door UV protected, 3 layers of glass, reversible

FLOW-17H



Black Glass DAUF-17.58DBH EAN: 5999558435653



Door options



Black Glass

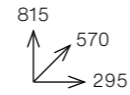
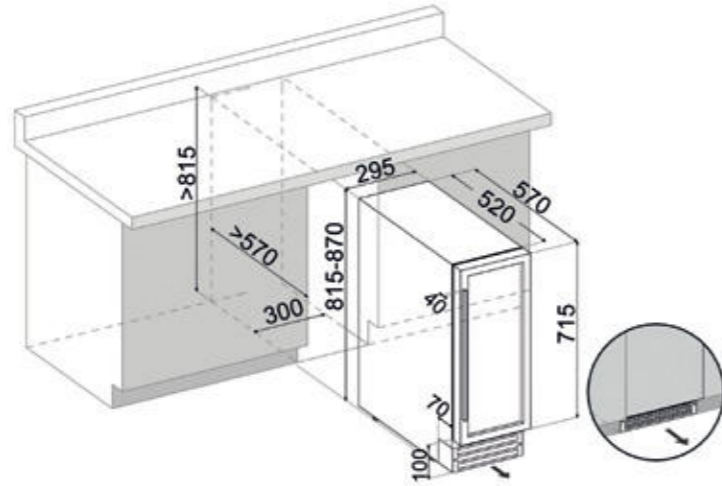
2 Cooling zone
 17 Bottle capacity
 39dB Noise level
 5-12°C / 12-20°C Cooling ranges
 Undercounter Installation type
 UV light protection UV protection
 Multi LED light Interior lighting
 LED touch screen Control type

FEATURES	PERFORMANCE
Installation type Undercounter	Cooling zones 2
Bottle capacity 17	Cooling ranges 5-12°C // 12-20°C
Type of opening Hidden handle	Heater Yes
Type of hinges Regular (Pivot)	Energy class G
Display type LED touch screen	Power consumption 135 kWh/a
Operating instructions Adjustable between 10-70mm* height varies between models	Rated power 220-240V, 50Hz, 0,65A
Installation requirements Front plinth ventilation	Product dimensions (HxWxD) in mm 815x295x570
Shelf Sliding wooden shelves	Packing dimensions (HxWxD) in mm 855x330x635
Low vibration Yes	Noise level 39dB
Interior light Multi LED light (white, amber, blue)	Cooling type Fan assisted cooling, compressor
WIFI & Smart App No	Glass door UV protected, 3 layers of glass, reversible

FLOW-19



Black Glass DAUF-19.58B EAN: 5999558434687
Inox DAUF-19.58SS EAN: 5999558434694
Matt Black DAUF-19.58MB EAN: 5999558435769
RAL Colour DAUF-19.58C EAN: 5999558435776



Door options



Black Glass



Inox



Matt Black



RAL



Cooling zone



19



39dB



5-20°C



Undercounter



UV light protection

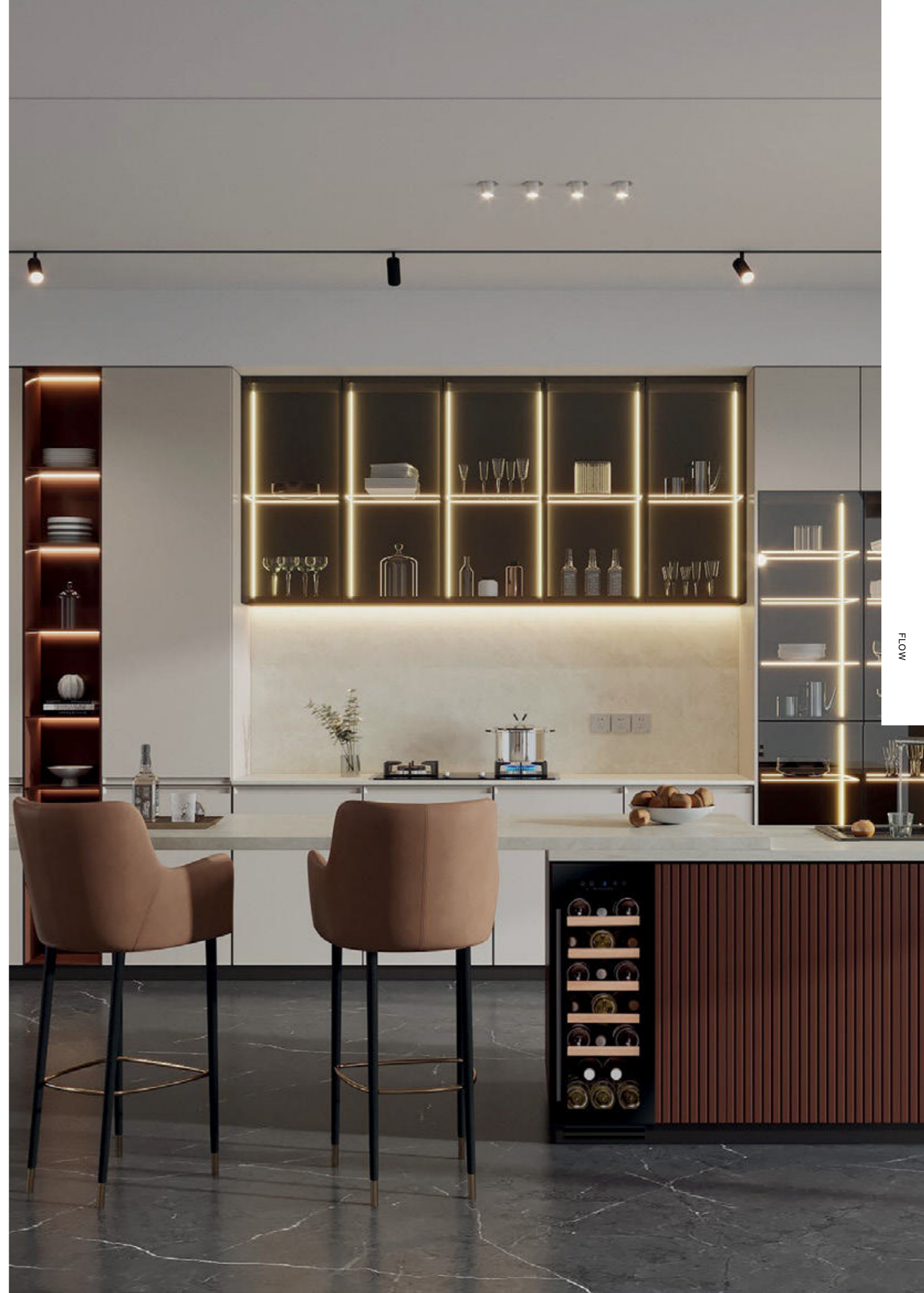


Multi LED light



LED touch screen

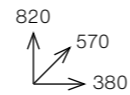
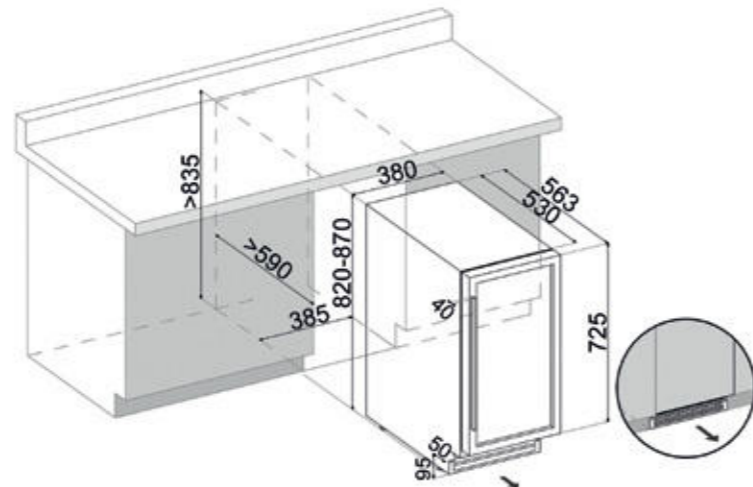
FEATURES	PERFORMANCE
Installation type Undercounter	Cooling zones 1
Bottle capacity 19	Cooling ranges 5-20°C
Type of opening Handle	Heater No
Type of hinges Regular (Pivot)	Energy class G
Display type LED touch screen	Power consumption 118 kWh/a
Operating instructions Adjustable between 10-70mm* height varies between models	Rated power 220-240V, 50Hz, 0,7A
Installation requirements Front plinth ventilation	Product dimensions (HxWxD) in mm 815x295x570
Shelf Sliding wooden shelves	Packing dimensions (HxWxD) in mm 855x330x635
Low vibration Yes	Noise level 39dB
Interior light Multi LED light (white, amber, blue)	Cooling type Fan assisted cooling, compressor
WIFI & Smart App No	Glass door UV protected, 3 layers of glass, reversible



FLOW-32



Black Glass DAUF-32.83B EAN: 5999558434700
Inox DAUF-32.83SS EAN: 5999558434717
Matt Black DAUF-32.83MB EAN: 5999558435783
RAL Colour DAUF-32.83C EAN: 5999558435790



Door options



Black Glass



Inox



Matt Black



RAL

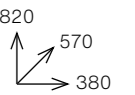
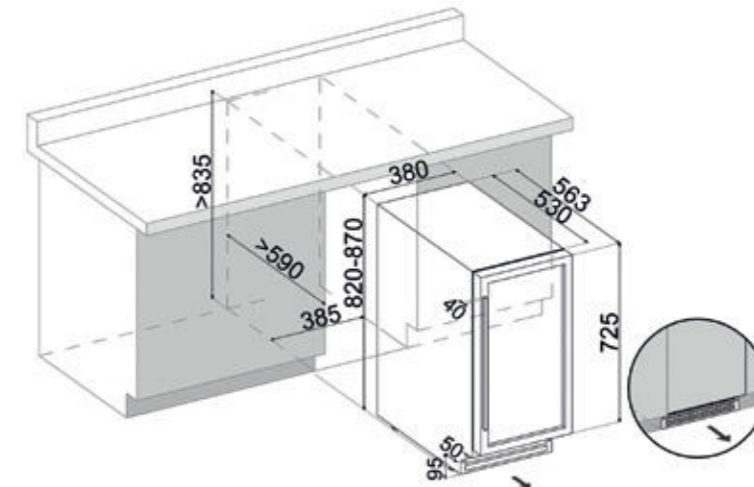
Cooling zone 1
 32
 39dB
 5-18°C
 Undercounter
 UV light protection
 Multi LED light
 LED touch screen
 RAL

FEATURES	PERFORMANCE
Installation type Undercounter or freestanding	Cooling zones 1
Bottle capacity 32	Cooling ranges 5-18°C
Type of opening Handle	Heater No
Type of hinges Regular (Pivot)	Energy class F
Display type LED touch screen	Power consumption 100 kWh/a
Operating instructions Adjustable between 10-70mm* height varies between models	Rated power 220-240V, 50Hz, 0,5A
Installation requirements Front plinth ventilation	Product dimensions (HxWxD) in mm 820x380x563
Shelf Sliding wooden shelves	Packing dimensions (HxWxD) in mm 845x415x625
Low vibration Yes	Noise level 39dB
Interior light Multi LED light (white, amber, blue)	Cooling type Fan assisted cooling, compressor
WIFI & Smart App No	Glass door UV protected, 2 layers of glass + Low-E, reversible

FLOW-32D



Black Glass DAUF-32.78DB EAN: 5999558434861
Inox DAUF-32.78DSS EAN: 5999558434878
Matt Black DAUF-32.78DMB EAN: 5999558435806
RAL Colour DAUF-32.78DC EAN: 5999558435813



Door options



Black Glass



Inox



Matt Black



RAL

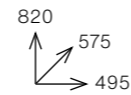
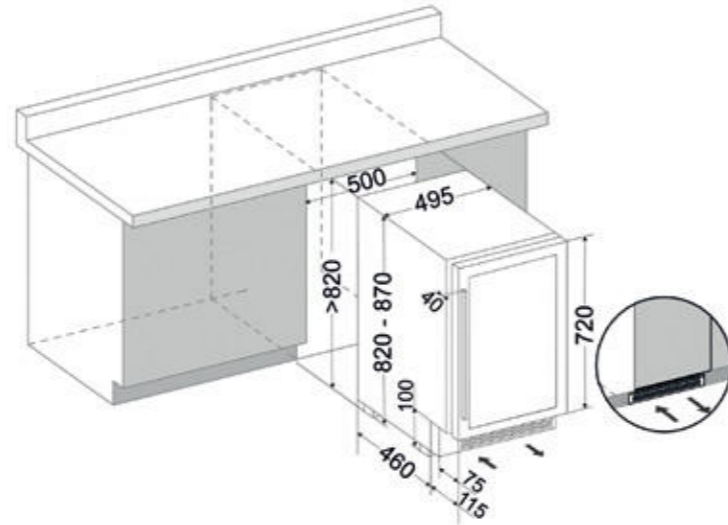
Cooling zone 2
 32
 39dB
 10-18°C // 5-10°C
 Undercounter
 UV light protection
 Multi LED light
 LED touch screen
 RAL

FEATURES	PERFORMANCE
Installation type Undercounter or freestanding	Cooling zones 2
Bottle capacity 32	Cooling ranges 10-18°C // 5-10°C
Type of opening Handle	Heater Yes
Type of hinges Regular (Pivot)	Energy class G
Display type LED touch screen	Power consumption 125 kWh/a
Operating instructions Adjustable between 10-70mm* height varies between models	Rated power 220-240V, 50Hz, 0,5A
Installation requirements Front plinth ventilation	Product dimensions (HxWxD) in mm 820x380x563
Shelf Sliding wooden shelves	Packing dimensions (HxWxD) in mm 845x415x625
Low vibration Yes	Noise level 39dB
Interior light Multi LED light (white, amber, blue)	Cooling type Fan assisted cooling, compressor
WIFI & Smart App No	Glass door UV protected, 2 layers of glass + Low-E, reversible

FLOW-38



Black Glass DAUF-38.100DB EAN: 5999558435035



Door options

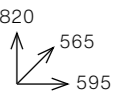
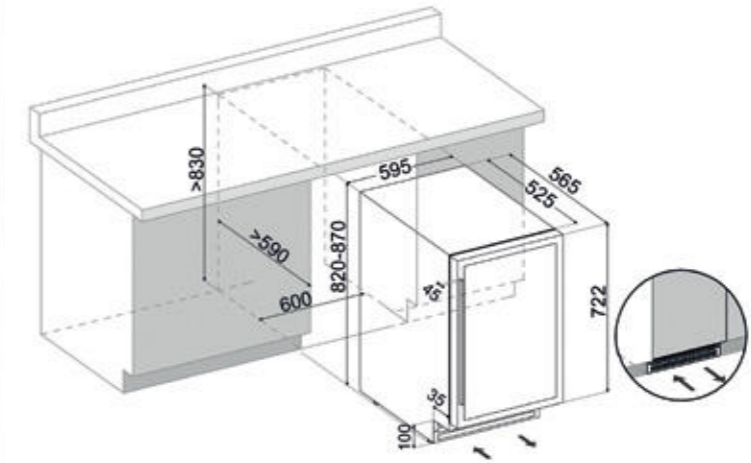


Black Glass

FLOW-39



Black Glass DAUF-39.121DB EAN: 5999558434724
 Inox DAUF-39.121DSS EAN: 5999558434731
 Matt Black DAUF-39.121DMB EAN: 5999558435844
 RAL Colour DAUF-39.121DC EAN: 5999558435851



Door options



Black Glass



Inox



Matt Black



RAL

2



Cooling zone

38



40dB



5-20°C
5-20°C



Undercounter



UV light protection



Multi LED light



LED touch screen

2



Cooling zone

39



38dB



5-10°C
10-18°C



Undercounter



Telescopic wooden shelves



UV light protection



Multi LED light



LED touch screen

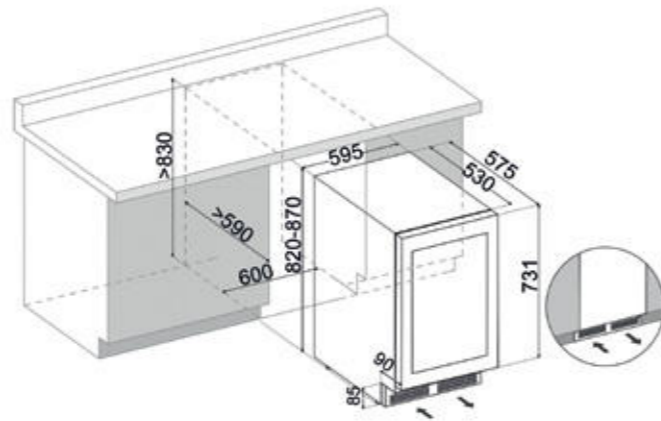
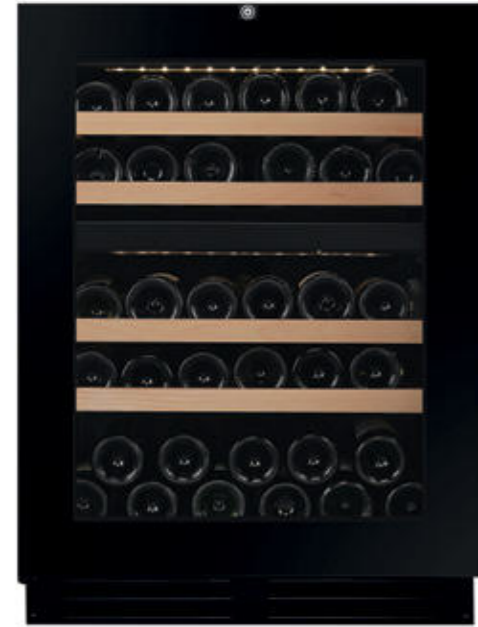
FEATURES	PERFORMANCE
Installation type Undercounter or freestanding	Cooling zones 2
Bottle capacity 38	Cooling ranges 5-20°C // 5-20°C
Type of opening Handle	Heater Yes
Type of hinges Regular (Pivot)	Energy class G
Display type LED touch screen	Power consumption 141 kWh/a
Operating instructions Adjustable between 10-70mm* height varies between models	Rated power 220-240V, 50Hz, 1,2A
Installation requirements Front plinth ventilation	Product dimensions (HxWxD) in mm 820x495x575
Shelf Sliding wooden shelves	Packing dimensions (HxWxD) in mm 880x560x660
Low vibration Yes	Noise level 40dB
Interior light Multi LED light (white, amber, blue)	Cooling type Fan assisted cooling, compressor
WIFI & Smart App No	Glass door UV protected, 3 layers of glass, reversible

FEATURES	PERFORMANCE
Installation type Undercounter or freestanding	Cooling zones 2
Bottle capacity 39	Cooling ranges 5-10°C // 10-18°C
Type of opening Handle	Heater Yes
Type of hinges Regular (Pivot)	Energy class F
Display type LED touch screen	Power consumption 103 kWh/a
Operating instructions Adjustable between 10-70mm* height varies between models	Rated power 220-240V, 50Hz, 0,6A
Installation requirements Front plinth ventilation	Product dimensions (HxWxD) in mm 820x595x565
Shelf Telescopic wooden shelves	Packing dimensions (HxWxD) in mm 870x655x665
Low vibration Yes	Noise level 38dB
Interior light Multi LED light (white, amber, blue)	Cooling type Fan assisted cooling, inverter compressor
WIFI & Smart App No	Glass door UV protected, 2 layers of glass + Low-E, reversible

FLOW-39.TO



Black Glass DAUF-39.119DB.TO EAN: 5999558435677



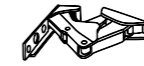
820
575
595

Door options

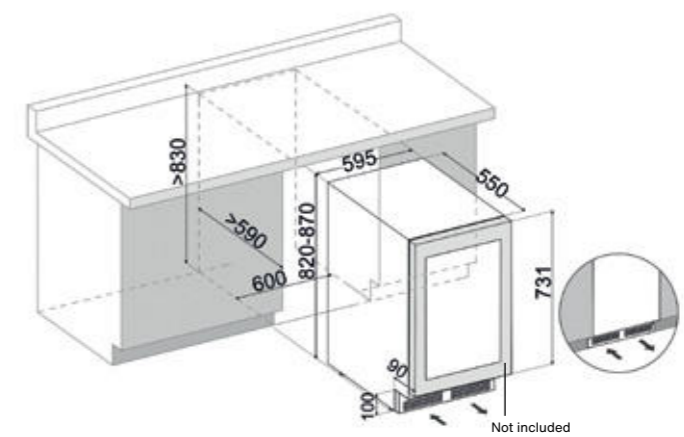


Black Glass

FLOW-39DOP.TO



Overlay Panel DAUF-39.119DOP.TO EAN: 5999558436315



820
550
595

Door options



Overlay Panel

- 2** Cooling zone
- 39 Bottle capacity
- 38dB Noise level
- 5-20°C / 5-20°C Cooling ranges
- Undercounter Installation type
- Telescopic wooden shelves
- UV light protection
- Multi LED light
- LED touch screen

- 2** Cooling zone
- 35 Bottle capacity
- 40dB Noise level
- 5-10°C / 10-18°C Cooling ranges
- Undercounter Installation type
- Telescopic wooden shelves
- UV light protection
- Multi LED light
- LED touch screen

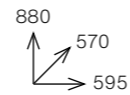
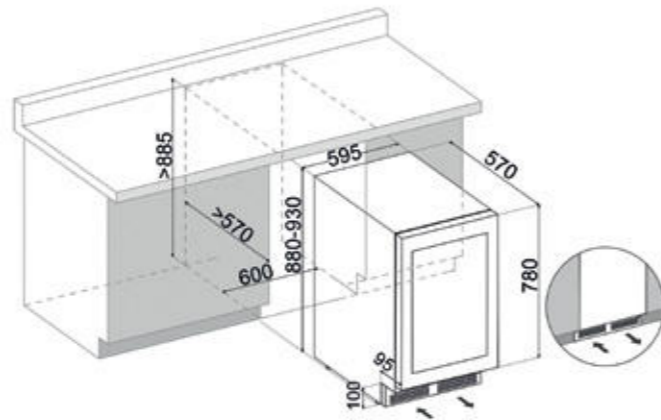
FEATURES	PERFORMANCE
Installation type Undercounter	Cooling zones 2
Bottle capacity 39	Cooling ranges 5-20°C // 5-20°C
Type of opening Push-to-open	Heater Yes
Type of hinges Regular (Pivot)	Energy class G
Display type LED touch screen	Power consumption 127 kWh/a
Operating instructions Adjustable between 10-70mm* height varies between models	Rated power 220-240V, 50Hz, 0,6A
Installation requirements Front plinth ventilation	Product dimensions (HxWxD) in mm 820x595x575
Shelf Telescopic wooden shelves	Packing dimensions (HxWxD) in mm 885x660x655
Low vibration Yes	Noise level 38dB
Interior light Multi LED light (white, amber, blue)	Cooling type Fan assisted cooling, inverter compressor
WIFI & Smart App No	Glass door UV protected, 3 layers of glass, reversible

FEATURES	PERFORMANCE
Installation type Undercounter	Cooling zones 2
Bottle capacity 35	Cooling ranges 5-10°C // 10-18°C
Type of opening Push-to-open	Heater Yes
Type of hinges Reversible soft closing Hettich hinge	Energy class F
Display type LED touch screen	Power consumption 105 kWh/a
Operating instructions Adjustable between 10-70mm* height varies between models	Rated power 220-240V, 50Hz, 0,6A
Installation requirements Front plinth ventilation	Product dimensions (HxWxD) in mm 820x595x550
Shelf Telescopic wooden shelves	Packing dimensions (HxWxD) in mm 870x655x655
Low vibration Yes	Noise level 40dB
Interior light Multi LED light (white, amber, blue)	Cooling type Fan assisted cooling, inverter compressor
WIFI & Smart App No	Glass door UV protected, 2 layers of glass, reversible

FLOW-41H



Black Glass DAUF-41.146DBH EAN: 5999558436568



Door options

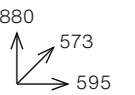
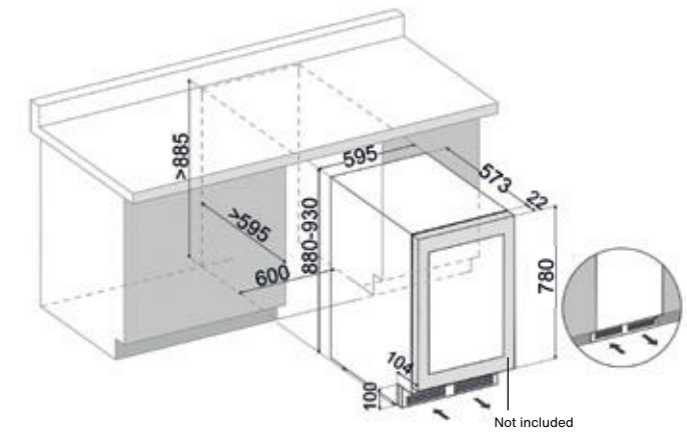


Black Glass

FLOW-41DOP.TO



Overlay Panel DAUF-41.146DOP.TO EAN: 5999558436551



Door options



Overlay Panel

- 2** Cooling zone
- 41** Bottle capacity
- 39dB** Noise level
- 5-10°C / 10-18°C** Cooling ranges
- Undercounter** Installation type
- Telescopic wooden shelves** Shelf type
- UV light protection** UV protection
- Multi LED light** Interior lighting
- TFT touch screen** Display type
- WIFI & Smart app** Smart features

- 2** Cooling zone
- 41** Bottle capacity
- 39dB** Noise level
- 5-10°C / 10-18°C** Cooling ranges
- Undercounter** Installation type
- Telescopic wooden shelves** Shelf type
- UV light protection** UV protection
- Multi LED light** Interior lighting
- TFT touch screen** Display type
- WIFI & Smart app** Smart features

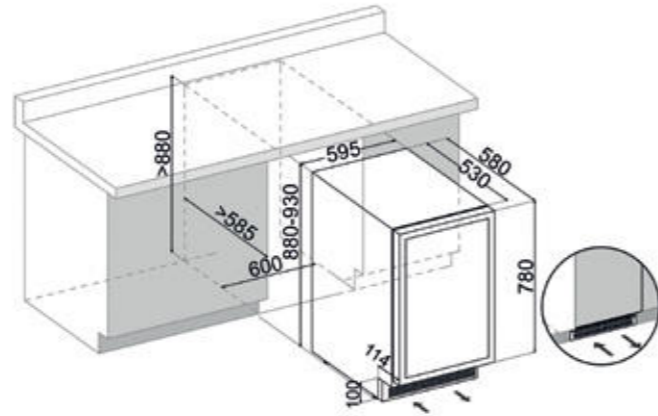
FEATURES	PERFORMANCE
Installation type Undercounter	Cooling zones 2
Bottle capacity 41	Cooling ranges 5-10°C // 10-18°C
Type of opening Hidden handle	Heater Yes
Type of hinges Regular (Pivot)	Energy class F
Display type TFT touch screen	Power consumption 107 kWh/a
Operating instructions Adjustable between 10-70mm* height varies between models	Rated power 220-240V, 50Hz, 0,6A
Installation requirements Front plinth ventilation	Product dimensions (HxWxD) in mm 880x595x570
Shelf Telescopic wooden shelves	Packing dimensions (HxWxD) in mm 940x660x660
Low vibration Yes	Noise level 39dB
Interior light Multi LED light (white, amber, blue)	Cooling type Fan assisted cooling, inverter compressor
WIFI & Smart App Yes	Glass door UV protected, 2 layers of glass, reversible

FEATURES	PERFORMANCE
Installation type Undercounter	Cooling zones 2
Bottle capacity 41	Cooling ranges 5-10°C // 10-18°C
Type of opening Push-to-open	Heater Yes
Type of hinges Soft closing Hettich hinge	Energy class F
Display type TFT touch screen	Power consumption 107 kWh/a
Operating instructions Adjustable between 10-70mm* height varies between models	Rated power 220-240V, 50Hz, 0,6A
Installation requirements Front plinth ventilation	Product dimensions (HxWxD) in mm 880x595x573
Shelf Telescopic wooden shelves	Packing dimensions (HxWxD) in mm 940x660x660
Low vibration Yes	Noise level 39dB
Interior light Multi LED light (white, amber, blue)	Cooling type Fan assisted cooling, inverter compressor
WIFI & Smart App Yes	Glass door UV protected, 2 layers of glass, reversible

FLOW-45.TO



Black Glass DAUF-45.125DB.TO EAN: 5999558434540



880
580
595

Door options

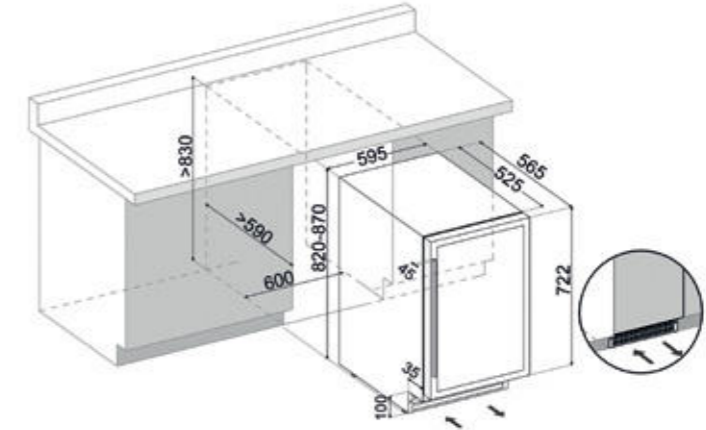


Black Glass

FLOW-46



Black Glass DAUF-46.138B EAN: 5999558434748
Inox DAUF-46.138SS EAN: 5999558434885
Matt Black DAUF-46.138MB EAN: 5999558435868
RAL Colour DAUF-46.138C EAN: 5999558435875



820
565
595

Door options



Black Glass



Inox



Matt Black



RAL

- 2**
 -
 -
 -
 -
 -
 -
 -
 -
- Cooling zone 45 36dB 5-20°C 5-20°C Undercounter Telescopic wooden shelves UV light protection Multi LED light LED touch screen

- 1**
 -
 -
 -
 -
 -
 -
 -
 -
 -
- Cooling zone 46 39dB 5-18°C Undercounter Telescopic wooden shelves UV light protection Multi LED light LED touch screen RAL

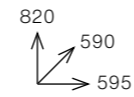
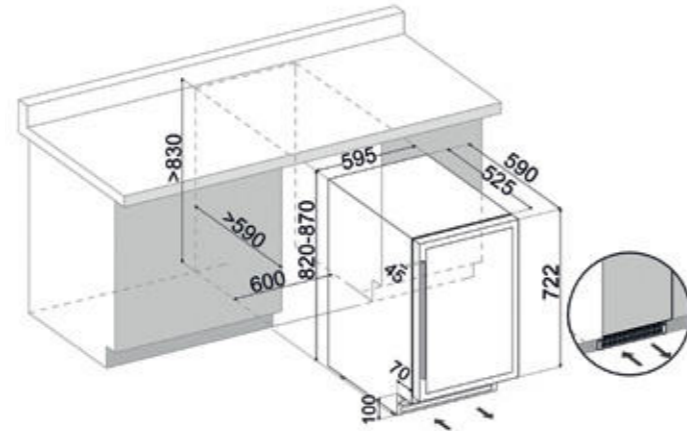
FEATURES	PERFORMANCE
Installation type Undercounter	Cooling zones 2
Bottle capacity 45	Cooling ranges 5-20°C // 5-20°C
Type of opening Push-to-open	Heater Yes
Type of hinges Reversible soft closing Hettich hinge	Energy class F
Display type LED touch screen	Power consumption 115 kWh/a
Operating instructions Adjustable between 10-70mm* height varies between models	Rated power 220-240V, 50Hz, 1,2A
Installation requirements Front plinth ventilation	Product dimensions (HxWxD) in mm 880x595x580
Shelf Telescopic wooden shelves	Packing dimensions (HxWxD) in mm 940x660x660
Low vibration Yes	Noise level 36dB
Interior light Multi LED light (white, amber, blue)	Cooling type Fan assisted cooling, compressor
WIFI & Smart App No	Glass door UV protected, 3 layers of glass, reversible

FEATURES	PERFORMANCE
Installation type Undercounter or freestanding	Cooling zones 1
Bottle capacity 46	Cooling ranges 5-18°C
Type of opening Handle	Heater No
Type of hinges Regular (Pivot)	Energy class G
Display type LED touch screen	Power consumption 130 kWh/a
Operating instructions Adjustable between 10-70mm* height varies between models	Rated power 220-240V, 50Hz, 0,55A
Installation requirements Front plinth ventilation	Product dimensions (HxWxD) in mm 820x595x565
Shelf Telescopic wooden shelves	Packing dimensions (HxWxD) in mm 870x655x665
Low vibration Yes	Noise level 39dB
Interior light Multi LED light (white, amber, blue)	Cooling type Fan assisted cooling, compressor
WIFI & Smart App No	Glass door UV protected, 2 layers of glass, reversible

FLOW-46D



Black Glass DAUF-46.145DB EAN: 5999558434892
Inox DAUF-46.145DSS EAN: 5999558434908
Matt Black DAUF-46.145DMB EAN: 5999558435264
RAL Colour DAUF-46.145DC EAN: 5999558435882



Door options



Black Glass



Inox



Matt Black



RAL

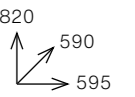
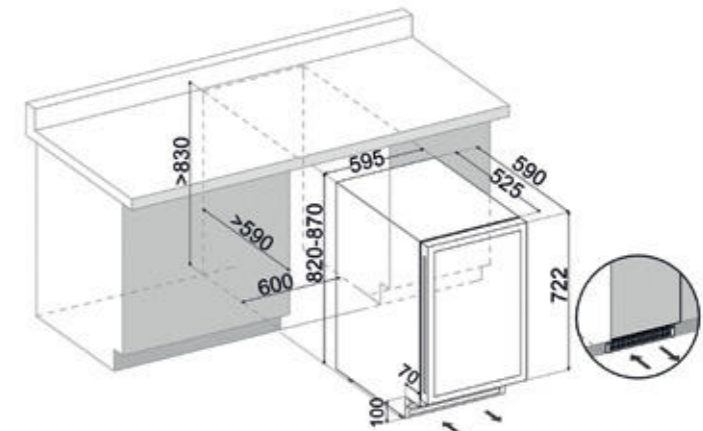
- 2** Cooling zone
- 46
- 39dB
- 5-12°C / 12-20°C
- Undercounter
- Telescopic wooden shelves
- UV light protection
- Multi LED light
- LCD touch screen
-

FEATURES	PERFORMANCE
Installation type Undercounter or freestanding	Cooling zones 2
Bottle capacity 46	Cooling ranges 5-12°C // 12-20°C
Type of opening Handle	Heater Yes
Type of hinges Regular (Pivot)	Energy class G
Display type LCD touch screen	Power consumption 141 kWh/a
Operating instructions Adjustable between 10-70mm* height varies between models	Rated power 220-240V, 50Hz, 0,5A
Installation requirements Front plinth ventilation	Product dimensions (HxWxD) in mm 820x595x590
Shelf Telescopic wooden shelves	Packing dimensions (HxWxD) in mm 874x660x625
Low vibration Yes	Noise level 39dB
Interior light Multi LED light (white, amber, blue)	Cooling type Fan assisted cooling, compressor
WIFI & Smart App No	Glass door UV protected, 3 layers of glass, reversible

FLOW-46H



Black Glass DAUF-46.145DBH EAN: 5999558435660



Door options



Black Glass

- 2** Cooling zone
- 46
- 39dB
- 5-12°C / 12-20°C
- Undercounter
- Telescopic wooden shelves
- UV light protection
- Multi LED light
- LCD touch screen
-

FEATURES	PERFORMANCE
Installation type Undercounter or freestanding	Cooling zones 2
Bottle capacity 46	Cooling ranges 5-12°C // 12-20°C
Type of opening Hidden handle	Heater Yes
Type of hinges Regular (Pivot)	Energy class G
Display type LCD touch screen	Power consumption 141 kWh/a
Operating instructions Adjustable between 10-70mm* height varies between models	Rated power 220-240V, 50Hz, 0,5A
Installation requirements Front plinth ventilation	Product dimensions (HxWxD) in mm 820x595x590
Shelf Telescopic wooden shelves	Packing dimensions (HxWxD) in mm 874x660x625
Low vibration Yes	Noise level 39dB
Interior light Multi LED light (white, amber, blue)	Cooling type Fan assisted cooling, compressor
WIFI & Smart App No	Glass door UV protected, 3 layers of glass, reversible

GRANDE
CRAFTED FOR COLLECTORS

GRANDE

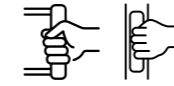
DX-94
DX-108
DX-166
DX-181
DX-194



GRANDE



GRANDE



The Grande Series is designed for passionate wine enthusiasts and serious collectors who require generous capacity paired with uncompromising performance. Created to house substantial, evolving collections, Grande delivers a refined, professional-grade storage experience suitable for both premium residential interiors and commercial environments.

Equipped with the advanced TFT touch display with multi-language functionality, Grande offers clear, intuitive control of every key setting. With Smart App compatibility for iOS and Android, collectors can monitor and adjust the storage environment at any time, ensuring perfect stability and peace of mind.

Grande models are available in both freestanding or built-in configurations, offering total architectural flexibility. Whether featured as a bold standalone statement or installed seamlessly into high-end cabinetry, the Grande Series elevates the visual and functional character of any kitchen, wine room, or tasting area.

Inside, Grande combines precise climate engineering with elegant presentation. Smooth telescopic wooden shelves provide secure, effortless access to even the largest collections. Selected models also include display shelves, allowing collectors to highlight special bottles with refined visibility.

The interior is enhanced by Multi LED lighting, creating an atmospheric, gallery-like presentation while ensuring optimal visibility throughout the cabinet. For added convenience and safety, each unit is fitted with a door alarm system, alerting users if the door remains open or climate stability is compromised.

For collectors who demand capacity, sophistication, technology, and design in equal measure, the Grande Series offers a commanding presence — uniting professional storage performance with Dunavox elegance on an impressive scale.

Specifications, features, and availability may vary by production batch. Some models shown may include the latest design or technical updates not present in earlier versions. All technical and design details on the following pages should be confirmed before ordering.



Built-in



Freestanding



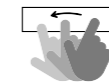
UV light protection



Telescopic wooden shelves



Multi LED light



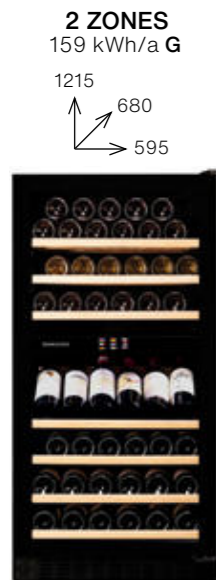
TFT touch screen



WiFi & Smart app

GRANDE

GRANDE



120 CM HIGH

Page 92



167 CM HIGH

Page 93



177 CM HIGH

Page 94



183 CM HIGH

Page 95



183 CM HIGH

Page 96

GRANDE-94



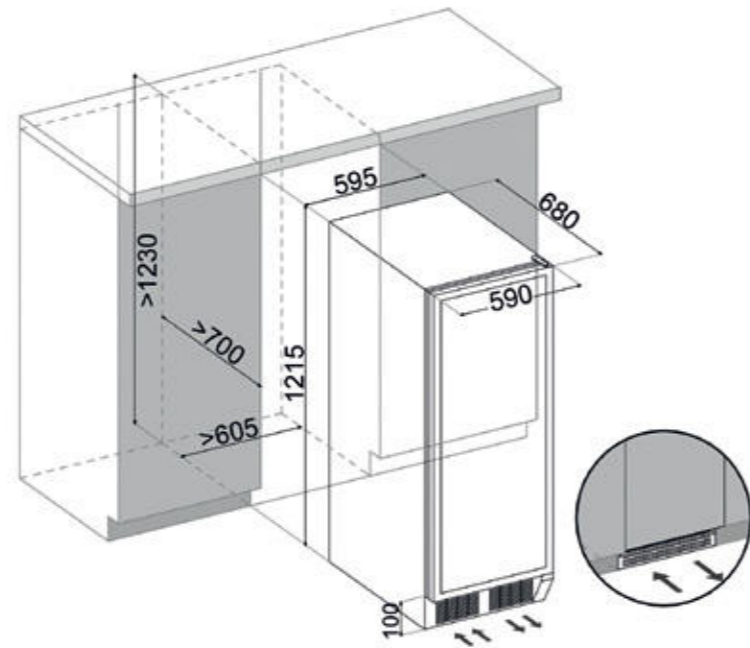
Black Glass DX-94.270DBK EAN: 5999558431563



GRANDE-108



Black Glass DX-108.330DB EAN: 5999558435684

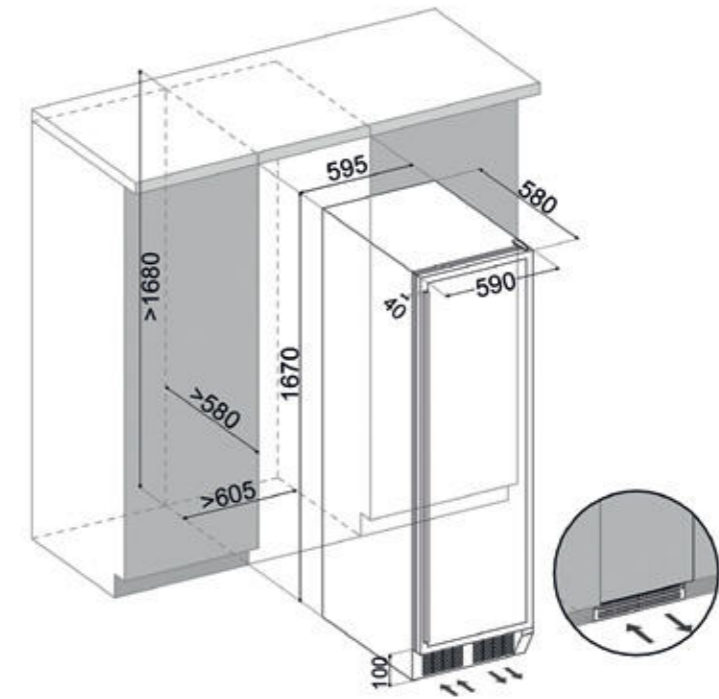


1215
680
595

Door options



Black Glass



1670
580
595

Door options



Black Glass

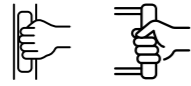
- 2** Cooling zone
- 94
- 39dB
- 5-12°C / 12-20°C
- Telescopic wooden shelves
- UV light protection
- Multi LED light
- TFT touch screen
- WIFI & Smart app

- 2** Cooling zone
- 101
- 39dB
- 5-12°C / 12-20°C
- Telescopic wooden shelves
- UV light protection
- Multi LED light
- TFT touch screen
- WIFI & Smart app

FEATURES	PERFORMANCE
Installation type Freestanding or built-in	Cooling zones 2
Bottle capacity 94	Cooling ranges 5-12°C // 12-20°C
Type of opening Hidden handle	Heater Yes
Type of hinges Regular (Pivot)	Energy class G
Display type TFT touch screen	Power consumption 159 kWh/a
Operating instructions Can be built-in, do not cover front grill	Rated power 220-240V, 50Hz, 0,86A
Installation requirements Front grille ventilation	Product dimensions (HxWxD) in mm 1215x595x680
Shelf Telescopic wooden shelves & display shelf	Packing dimensions (HxWxD) in mm 1260x660x760
Low vibration Yes	Noise level 39dB
Interior light Multi LED side light (white, amber, blue)	Cooling type Fan assisted cooling, compressor
WIFI & Smart App Yes	Glass door UV protected, 3 layers of glass, reversible

FEATURES	PERFORMANCE
Installation type Freestanding or built-in	Cooling zones 2
Bottle capacity 101	Cooling ranges 5-12°C // 12-20°C
Type of opening Handle	Heater Yes
Type of hinges Regular (Pivot)	Energy class G
Display type TFT touch screen	Power consumption 155 kWh/a
Operating instructions Can be built-in, do not cover front grill	Rated power 220-240V, 50Hz, 1,3A
Installation requirements Front grille ventilation	Product dimensions (HxWxD) in mm 1670x595x580
Shelf Telescopic wooden shelves & display shelf	Packing dimensions (HxWxD) in mm 1720x660x640
Low vibration Yes	Noise level 39dB
Interior light Multi LED side light (white, amber, blue)	Cooling type Fan assisted cooling, inverter compressor
WIFI & Smart App Yes	Glass door UV protected, 3 layers of glass, reversible

GRANDE-166



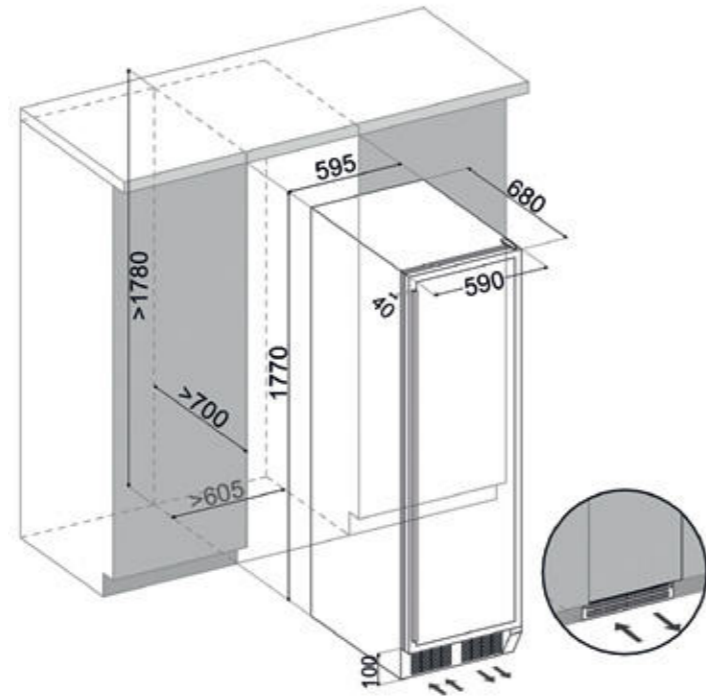
Black Glass DX-166.428DBK EAN: 5999558431648
Inox DX-166.428SDSK EAN: 5999558432034
Matt Black DX-166.428DMB EAN: 5999558435912
RAL Colour DX-166.428DCK EAN: 5999558435967



GRANDE-181



Black Glass DX-181.490DBK EAN: 5999558431631
Inox DX-181.490SDSK EAN: 5999558431969
Matt Black DX-181.490DMB EAN: 5999558435929
RAL Colour DX-181.490DCK EAN: 5999558435974



1770
680
595

Door options



Black Glass



Inox

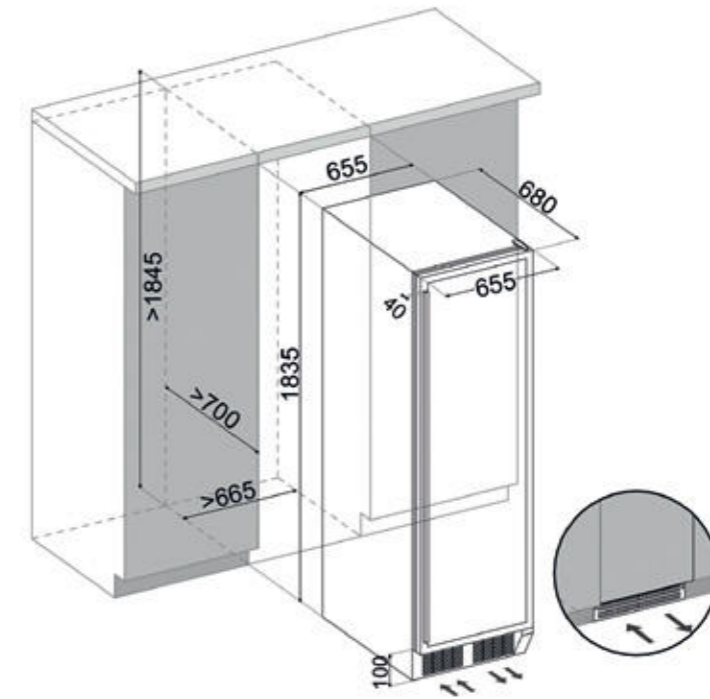


Matt Black



RAL

- 2** Cooling zone
- 166
- 39dB
- 5-12°C / 12-20°C
- Telescopic wooden shelves
- UV light protection
- Multi LED light
- TFT touch screen
- WIFI & Smart app
- RAL



1835
680
655

Door options



Black Glass



Inox



Matt Black



RAL

- 2** Cooling zone
- 181
- 40dB
- 5-12°C / 12-20°C
- Telescopic wooden shelves
- UV light protection
- Multi LED light
- TFT touch screen
- WIFI & Smart app
- RAL

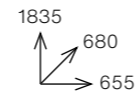
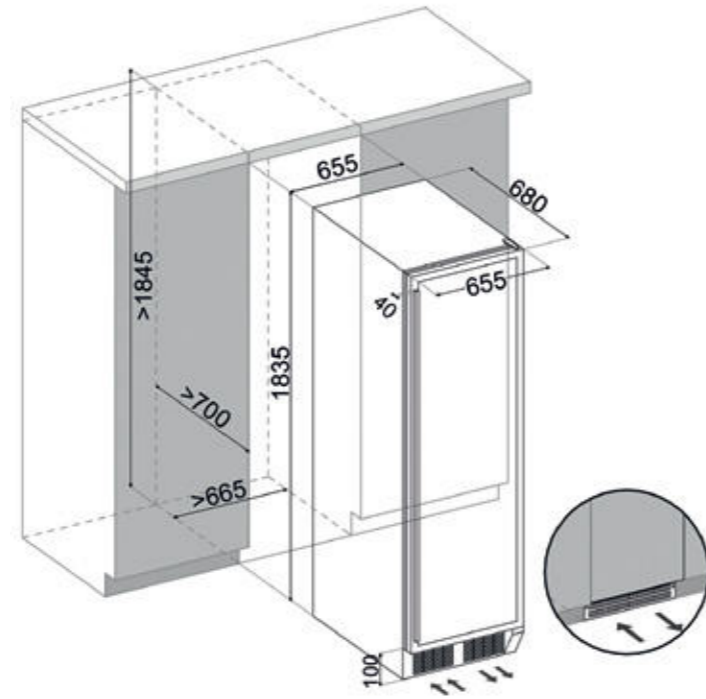
FEATURES	PERFORMANCE
Installation type Freestanding or built-in	Cooling zones 2
Bottle capacity 166	Cooling ranges 5-12°C // 12-20°C
Type of opening Black: Hidden handle Inox: Handle	Heater Yes
Type of hinges Regular (Pivot)	Energy class G
Display type TFT touch screen	Power consumption 146 kWh/a
Operating instructions Can be built-in, do not cover front grill	Rated power 220-240V, 50Hz, 1,3A
Installation requirements Front grille ventilation	Product dimensions (HxWxD) in mm 1770x595x680
Shelf Telescopic wooden shelves & display shelf	Packing dimensions (HxWxD) in mm 1905x660x745
Low vibration Yes	Noise level 39dB
Interior light Multi LED side light (white, amber, blue)	Cooling type Fan assisted cooling, inverter compressor
WIFI & Smart App Yes	Glass door UV protected, 3 layers of glass, reversible

FEATURES	PERFORMANCE
Installation type Freestanding or built-in	Cooling zones 2
Bottle capacity 181	Cooling ranges 5-12°C // 12-20°C
Type of opening Handle	Heater Yes
Type of hinges Regular (Pivot)	Energy class G
Display type TFT touch screen	Power consumption 197 kWh/a
Operating instructions Can be built-in, do not cover front grill	Rated power 220-240V, 50Hz, 1,1A
Installation requirements Front grille ventilation	Product dimensions (HxWxD) in mm 1835x655x680
Shelf Telescopic wooden shelves & display shelf	Packing dimensions (HxWxD) in mm 1970x700x745
Low vibration Yes	Noise level 40dB
Interior light Multi LED side light (white, amber, blue)	Cooling type Fan assisted cooling, compressor
WIFI & Smart App Yes	Glass door UV protected, 3 layers of glass, reversible

GRANDE-194



Black Glass DX-194.490BK EAN: 5999558431945
Inox DX-194.490SSK EAN: 5999558431952
Matt Black DX-194.490MBK EAN: 5999558435936
RAL Colour DX-194.490CK EAN: 5999558435981



Door options



Black Glass



Inox



Matt Black



RAL

-
-
-
-
-
-
-
-
-
-

FEATURES	PERFORMANCE
Installation type Freestanding or built-in	Cooling zones 1
Bottle capacity 183	Cooling ranges 5-20°C
Type of opening Handle	Heater Yes
Type of hinges Regular (Pivot)	Energy class G
Display type TFT touch screen	Power consumption 179 kWh/a
Operating instructions Can be built-in, do not cover front grill	Rated power 220-240V, 50Hz, 1,1A
Installation requirements Front grille ventilation	Product dimensions (HxWxD) in mm 1835x655x680
Shelf Telescopic wooden shelves & display shelf	Packing dimensions (HxWxD) in mm 1970x700x745
Low vibration Yes	Noise level 40dB
Interior light Multi LED side light (white, amber, blue)	Cooling type Fan assisted cooling, compressor
WIFI & Smart App Yes	Glass door UV protected, 3 layers of glass, reversible



GRANDE

GRANDE

SERA
CELEBRATION REFINED

SERA

DAUF-40
DX-58
DX-70
DX-143

SERA

SERA



SERA



Champagne deserves the same thoughtful care as the finest still wines — precise temperature, stable humidity and gentle handling to protect its delicate structure and preserve every bubble. While many wine coolers can physically accommodate champagne bottles, true enthusiasts benefit from a cabinet designed specifically for the unique dimensions and characteristics of sparkling wines.

The Dunavox Sera collection is crafted with this purpose at its core. Equipped with an advanced TFT touch display with multi-language functionality and Smart App compatibility (iOS & Android), Sera offers precise, intuitive control of every aspect of the cooling environment.

Inside, Multi LED lighting enhances visibility and presentation, while the integrated door alarm system ensures additional protection by signalling if the door is left open or temperature stability is at risk.

Sera coolers maintain the perfect serving and storage conditions for Champagne, Prosecco, Cava, Crémant and other sparkling wines. Carefully configured shelving, refined climate engineering, and Dunavox's signature design language make Sera the ideal choice for those who want their sparkling wines stored — and showcased — with the sophistication they deserve.

For anyone curious about what truly defines a champagne wine fridge, the Dunavox Sera collection provides a beautifully crafted answer — where precision, protection and celebration meet in perfect harmony.

Specifications, features, and availability may vary by production batch. Some models shown may include the latest design or technical updates not present in earlier versions. All technical and design details on the following pages should be confirmed before ordering.

- 
Undercounter
- 
Built-in
- 
Freestanding
- 
UV light protection
- 
Label view shelves
- 
Champagne & prosecco
- 
Multi LED light
- 
TFT touch screen
- 
WiFi & Smart app
- 
Yacht & Ship approved



1 ZONE
83 kWh/a E
813
570
595

80 CM HIGH

Page 102



2 ZONES
146 kWh/a G
1215
680
595

120 CM HIGH

Page 103



1 ZONE
111 kWh/a F
1215
680
595

120 CM HIGH

Page 104

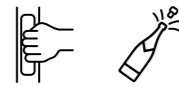


1 ZONE
162 kWh/a G
1835
680
655

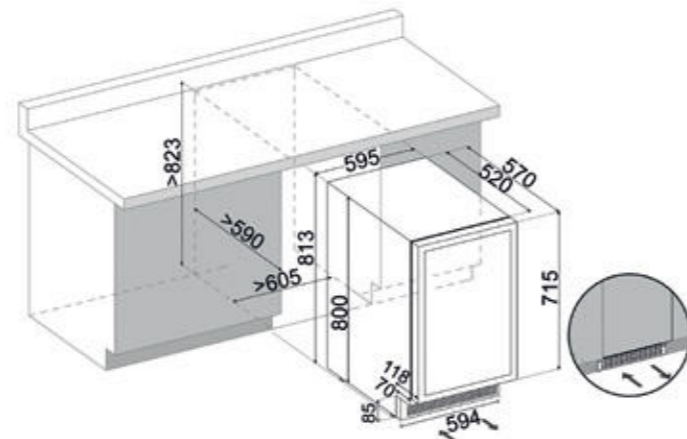
183 CM HIGH

Page 105

SERA-40



Black Glass DAUF-40.138B EAN: 5999558435134



813
570
595

Door options

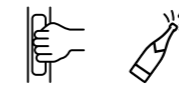


Black Glass

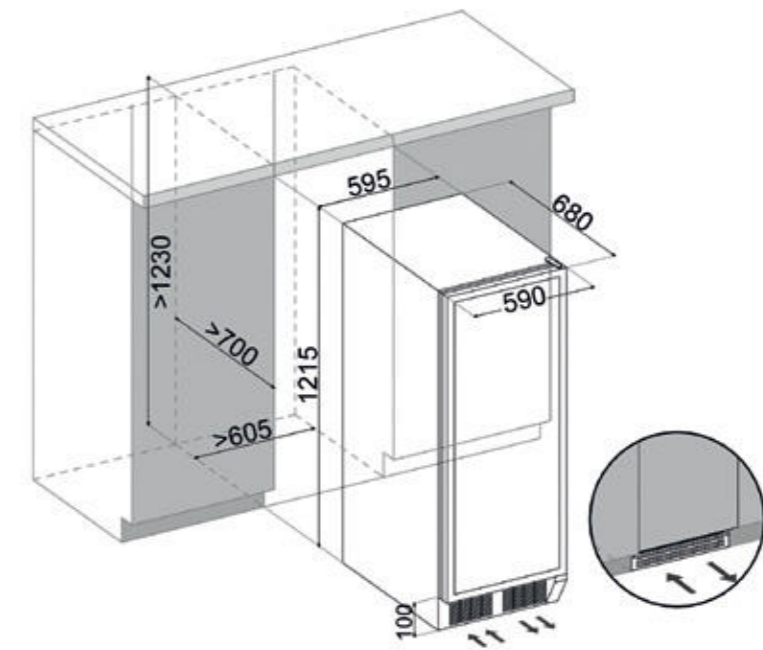
- 1** Cooling zone
- 40** Bottle capacity
- 38dB** Noise level
- 5-20°C** Temperature range
- Undercounter
- Label view shelves
- UV light protection
- Multi LED light
- TFT touch screen
- WIFI & Smart app
- Yacht & Ship approved

FEATURES	PERFORMANCE
Installation type Undercounter	Cooling zones 1
Bottle capacity 40	Cooling ranges 5-20°C
Type of opening Hidden handle	Heater No
Type of hinges Regular (Pivot)	Energy class E
Display type TFT touch screen	Power consumption 83 kWh/a
Operating instructions Suitable for storing champagne bottles	Rated power 220-240V, 50Hz, 0,85A
Installation requirements Front grille ventilation	Product dimensions (HxWxD) in mm 813x595x570
Shelf Label view shelves	Packing dimensions (HxWxD) in mm 880x660x625
Low vibration Yes	Noise level 38dB
Interior light Multi LED side light (white, amber, blue)	Cooling type Fan assisted cooling, compressor
WIFI & Smart App Yes	Glass door UV protected, 3 layers of glass, reversible

SERA-58



Black Glass DX-58.258DB EAN: 5999558435158



1215
680
595

Door options

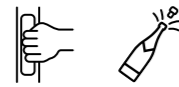


Black Glass

- 2** Cooling zone
- 58** Bottle capacity
- 40dB** Noise level
- 5-20°C** Temperature range
- Freestanding or built-in
- Label view shelves
- UV light protection
- Multi LED light
- TFT touch screen
- WIFI & Smart app
- Yacht & Ship approved

FEATURES	PERFORMANCE
Installation type Freestanding or built-in	Cooling zones 2
Bottle capacity 58	Cooling ranges 5-20°C // 5-20°C
Type of opening Hidden handle	Heater No
Type of hinges Regular (Pivot)	Energy class G
Display type TFT touch screen	Power consumption 128 kWh/a
Operating instructions Both zones can be set independently	Rated power 220-240V, 50Hz, 0,85A
Installation requirements Front grille ventilation	Product dimensions (HxWxD) in mm 1215x595x680
Shelf Label view shelves	Packing dimensions (HxWxD) in mm 1260x660x745
Low vibration Yes	Noise level 40dB
Interior light Multi LED side light (white, amber, blue)	Cooling type Fan assisted cooling, inverter compressor
WIFI & Smart App Yes	Glass door UV protected, 3 layers of glass, reversible

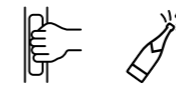
SERA-70



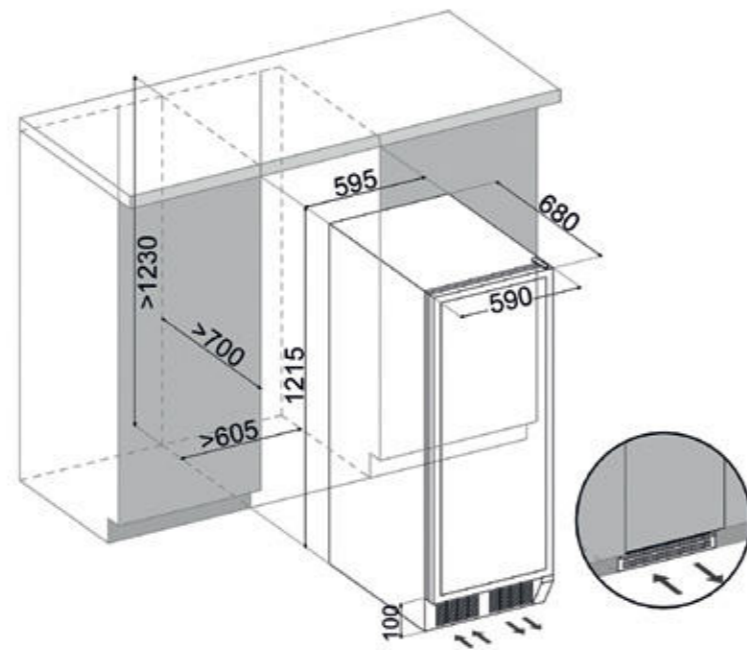
Black Glass DX-70.258B EAN: 5999558435172



SERA-143



Black Glass DX-143.468B EAN: 5999558432645

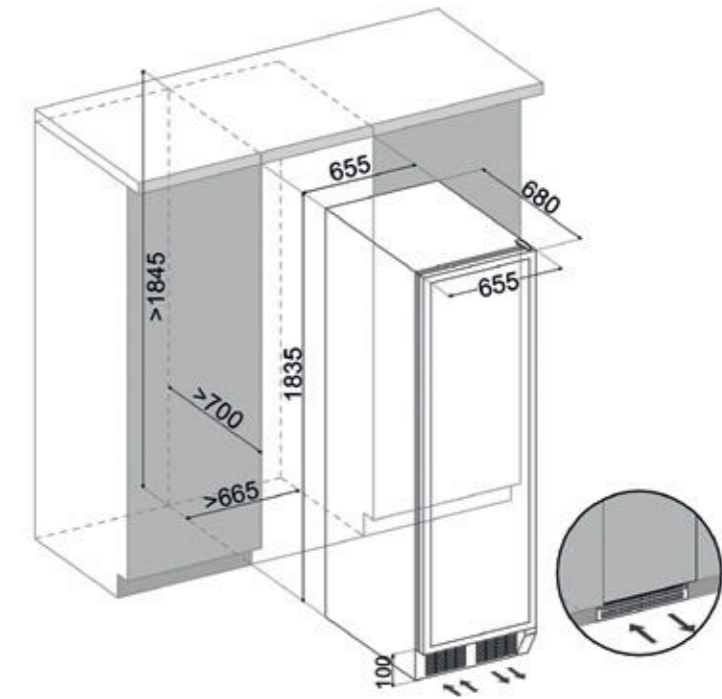


1215
680
595

Door options



Black Glass

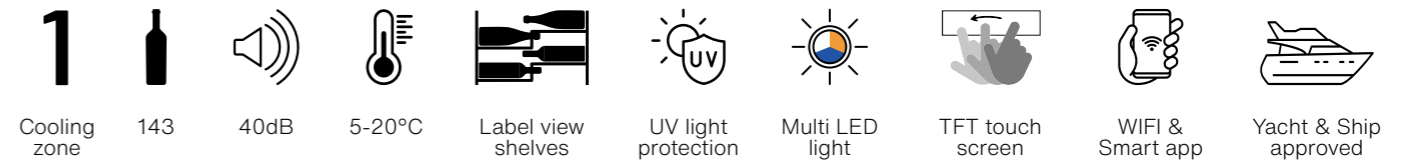


1835
680
655

Door options



Black Glass



FEATURES	PERFORMANCE
Installation type Freestanding or built-in	Cooling zones 1
Bottle capacity 70	Cooling ranges 5-20°C
Type of opening Hidden handle	Heater No
Type of hinges Regular (Pivot)	Energy class F
Display type TFT touch screen	Power consumption 111 kWh/a
Operating instructions Suitable for storing champagne bottles	Rated power 220-240V, 50Hz, 0,85A
Installation requirements Front grille ventilation	Product dimensions (HxWxD) in mm 1215x595x680
Shelf Label view shelves	Packing dimensions (HxWxD) in mm 1260x660x745
Low vibration Yes	Noise level 38dB
Interior light Multi LED side light (white, amber, blue)	Cooling type Fan assisted cooling, inverter compressor
WIFI & Smart App Yes	Glass door UV protected, 3 layers of glass, reversible

FEATURES	PERFORMANCE
Installation type Freestanding or built-in	Cooling zones 1
Bottle capacity 143	Cooling ranges 5-20°C
Type of opening Hidden handle	Heater No
Type of hinges Regular (Pivot)	Energy class G
Display type TFT touch screen	Power consumption 162 kWh/a
Operating instructions Suitable for storing champagne bottles	Rated power 220-240V, 50Hz, 1,3A
Installation requirements Front grille ventilation	Product dimensions (HxWxD) in mm 1835x655x680
Shelf Label view shelves	Packing dimensions (HxWxD) in mm 1970x700x745
Low vibration Yes	Noise level 40dB
Interior light Multi LED side light (white, amber, blue)	Cooling type Fan assisted cooling, inverter compressor
WIFI & Smart App Yes	Glass door UV protected, 3 layers of glass, reversible

HOME
ELEGANCE, ANYWHERE

HOME

DXFH-16
DXFH-20
DXFH-28
DXFH-30
DXFH-48
DXFH-50

HOME

HOME



HOME



Freestanding wine coolers remain one of the most popular choices among wine enthusiasts, offering complete freedom in placement and effortless integration into almost any part of the home. The Dunavox Home Collection embodies this versatility — allowing you to position your cooler wherever it suits your lifestyle best, whether in the kitchen, dining room, living space, entertainment area, home gym, or even a covered outdoor environment.

The collection spans a wide range of capacities and formats, ensuring there is a perfect model for every interior. Whether you prefer a compact unit that discreetly complements a corner of your living room or a larger statement piece that takes pride of place in your kitchen, the Home Series offers flexible solutions that adapt beautifully to any setting. With slim, tall, and wide configurations available, selecting the ideal cooler for your wine collection and home aesthetic becomes effortless.

Freestanding models also serve as sophisticated design elements. Beyond providing optimal storage conditions, they elevate the ambiance of any room with their refined lines, subtle lighting, and contemporary presence. A Dunavox Home wine cooler is more than a functional appliance — it is an elegant styling feature that enhances the character of your kitchen, living room, or alfresco space.

Wherever you choose to place it, the Home Series brings freedom, beauty, and perfectly chilled wine into your everyday life.

Specifications, features, and availability may vary by production batch. Some models shown may include the latest design or technical updates not present in earlier versions. All technical and design details on the following pages should be confirmed before ordering.



Freestanding



UV light protection



LED touch screen

1 ZONE
97 kWh/a F
530
480
430



53 CM HIGH

Page 110

1 ZONE
99 kWh/a F
660
480
430



66 CM HIGH

Page 111

1 ZONE
101 kWh/a F
845
480
430



85 CM HIGH

Page 112

2 ZONES
138 kWh/a G
860
490
480



86 CM HIGH

Page 113

1 ZONE
105 kWh/a F
845
570
540



85 CM HIGH

Page 114

2 ZONES
146 kWh/a G
1295
500
480



130 CM HIGH

Page 115

HOME-16



Black Glass DXFH-16.46 EAN: 5999558434786



530
480
430

Door options



Black Glass



HOME-20



Black Glass DXFH-20.62 EAN: 5999558434793



660
480
430

Door options



Black Glass



1
 15
 42dB
 5-20°C
 UV light protection
 LED touch screen

1
 20
 38dB
 5-20°C
 UV light protection
 LED touch screen

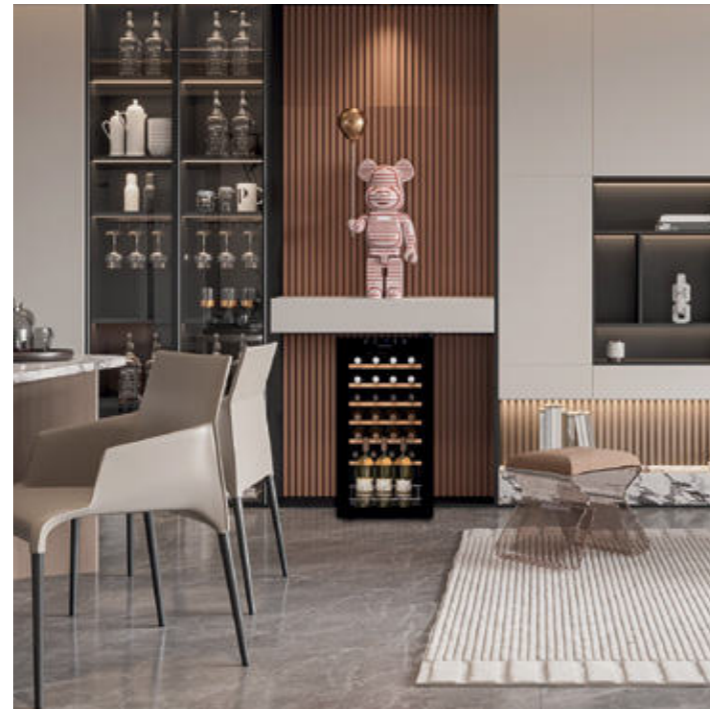
FEATURES	PERFORMANCE
Installation type Freestanding only	Cooling zones 1
Bottle capacity 15	Cooling ranges 5-20°C
Type of opening Hidden handle	Heater No
Type of hinges Non-reversible (Pivot)	Energy class F
Display type LED touch screen	Power consumption 97 kWh/a
Operating instructions Suitable for storing opened bottles	Rated power 220-240V, 50Hz, 0,55A
Installation requirements Keep at least 5-10cm all around and above the unit	Product dimensions (HxWxD) in mm 530x430x480 (incl. hinge)
Shelf Wooden shelves	Packing dimensions (HxWxD) in mm 575x550x500
Low vibration Yes	Noise level 42dB
Interior light White LED light	Cooling type Direct cooling, compressor
WIFI & Smart App No	Glass door UV protected, 2 layers of glass

FEATURES	PERFORMANCE
Installation type Freestanding only	Cooling zones 1
Bottle capacity 20	Cooling ranges 5-20°C
Type of opening Hidden handle	Heater No
Type of hinges Non-reversible (Pivot)	Energy class F
Display type LED touch screen	Power consumption 99 kWh/a
Operating instructions Suitable for storing opened bottles	Rated power 220-240V, 50Hz, 0,55A
Installation requirements Keep at least 5-10cm all around and above the unit	Product dimensions (HxWxD) in mm 660x430x480 (incl. hinge)
Shelf Wooden shelves	Packing dimensions (HxWxD) in mm 710x555x505
Low vibration Yes	Noise level 38dB
Interior light White LED light	Cooling type Direct cooling, compressor
WIFI & Smart App No	Glass door UV protected, 2 layers of glass

HOME-28



Black Glass DXFH-28.88 EAN: 5999558434809



845
480
430

Door options



Black Glass

HOME-30



Black Glass DXFH-30.80 EAN: 5999558434830



860
490
480

Door options



Black Glass

Cooling zone 28 38dB 5-20°C UV light protection LED touch screen

Cooling zone 29 38dB 5-20°C // 5-20°C UV light protection LED touch screen

FEATURES	PERFORMANCE
Installation type Freestanding only	Cooling zones 1
Bottle capacity 28	Cooling ranges 5-20°C
Type of opening Hidden handle	Heater No
Type of hinges Non-reversible (Pivot)	Energy class F
Display type LED touch screen	Power consumption 101 kWh/a
Operating instructions Suitable for storing opened bottles	Rated power 220-240V, 50Hz, 0,55A
Installation requirements Keep at least 5-10cm all around and above the unit	Product dimensions (HxWxD) in mm 845x430x480 (incl. hinge)
Shelf Wooden shelves	Packing dimensions (HxWxD) in mm 895x570x505
Low vibration Yes	Noise level 38dB
Interior light White LED light	Cooling type Direct cooling, compressor
WIFI & Smart App No	Glass door UV protected, 2 layers of glass

FEATURES	PERFORMANCE
Installation type Freestanding only	Cooling zones 2
Bottle capacity 29	Cooling ranges 5-20°C // 5-20°C
Type of opening Hidden handle	Heater Yes
Type of hinges Non-reversible (Pivot)	Energy class G
Display type LED touch screen	Power consumption 138 kWh/a
Operating instructions Temperature difference cannot exceed 6°C	Rated power 220-240V, 50Hz, 0,55A
Installation requirements Keep at least 5-10cm all around and above the unit	Product dimensions (HxWxD) in mm 860x480x490 (incl. hinge)
Shelf Wooden shelves	Packing dimensions (HxWxD) in mm 905x555x545
Low vibration Yes	Noise level 38dB
Interior light White LED light	Cooling type Fan assisted cooling, compressor
WIFI & Smart App No	Glass door UV protected, 2 layers of glass

HOME-48



Black Glass DXFH-48.130 EAN: 5999558434847



845
570
540

Door options



Black Glass

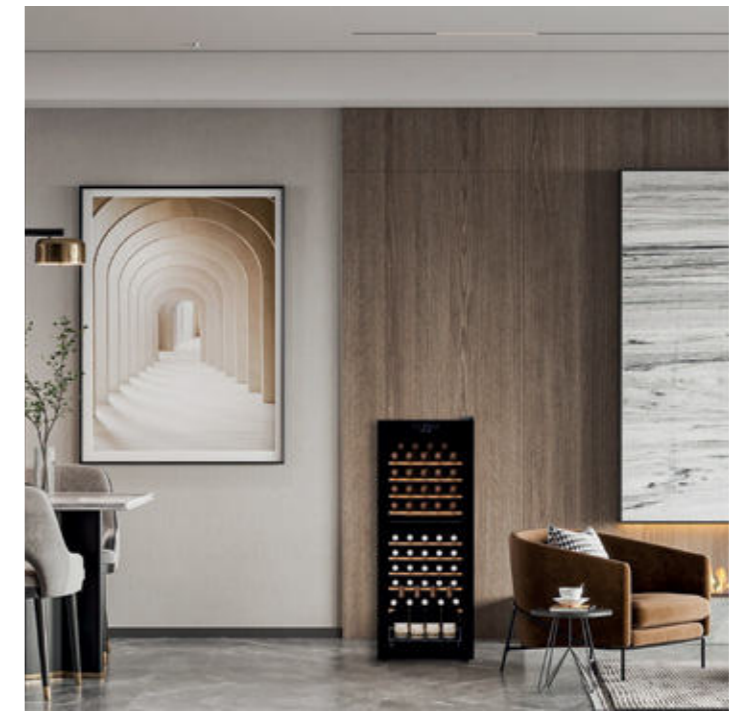
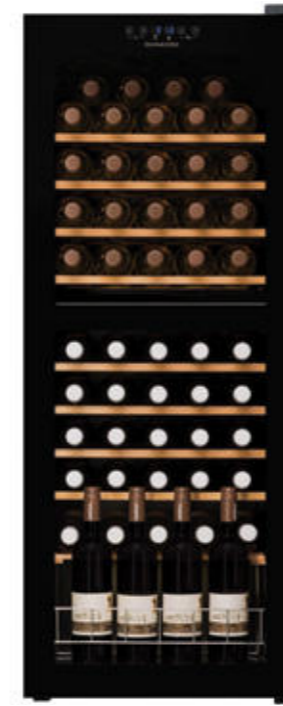
1
 48
 41dB
 4-18°C
 UV light protection

FEATURES	PERFORMANCE
Installation type Freestanding only	Cooling zones 1
Bottle capacity 48	Cooling ranges 4-18°C
Type of opening Hidden handle	Heater No
Type of hinges Reversible (Pivot)	Energy class F
Display type There is no LED display	Power consumption 105 kWh/a
Operating instructions Temperature can be set with a manual thermostat	Rated power 220-240V, 50Hz, 0,55A
Installation requirements Keep at least 5-10cm all around and above the unit	Product dimensions (HxWxD) in mm 845x540x570 (incl. hinge)
Shelf Wooden shelves	Packing dimensions (HxWxD) in mm 855x590x580
Low vibration Yes	Noise level 41dB
Interior light White LED light	Cooling type Direct cooling, compressor
WIFI & Smart App No	Glass door UV protected, 2 layers of glass

HOME-50



Black Glass DXFH-50.142 EAN: 5999558435714



1295
500
480

Door options



Black Glass

2
 50
 41dB
 5-22°C // 5-22°C
 UV light protection
 LED touch screen

FEATURES	PERFORMANCE
Installation type Freestanding or built-in	Cooling zones 2
Bottle capacity 50	Cooling ranges 5-22°C // 5-22°C
Type of opening Hidden handle	Heater Yes
Type of hinges Non-reversible (Pivot)	Energy class G
Display type LED touch screen	Power consumption 146 kWh/a
Operating instructions Ventilate above and around. Built-in installation is possible	Rated power 220-240V, 50Hz, 0,5A
Installation requirements Built-in with a service channel	Product dimensions (HxWxD) in mm 1295x480x500 (incl. hinge)
Shelf Wooden shelves	Packing dimensions (HxWxD) in mm 1345x555x545
Low vibration Yes	Noise level 41dB
Interior light White LED light	Cooling type Fan assisted cooling, compressor
WIFI & Smart App No	Glass door UV protected, 2 layers of glass

GENERAL TERMS AND CONDITIONS OF SALE

Scope and Applicability	<p>These Terms and Conditions apply to all quotations, sales, and deliveries made by Dunavox Kft. ("Supplier"). By placing an order or accepting delivery, the purchaser ("Customer") accepts these Terms and Conditions as binding. The General Terms and Conditions of Sale (GTC) are attached to every invoice and form an integral part of each transaction. If a specific written agreement conflicts with these GTC, the specific terms prevail.</p> <p>These GTC supersede any previous versions and apply to all subsequent transactions unless expressly replaced in writing.</p>	Inspection and Acceptance (3 Business Days)	<p>The Customer shall inspect goods upon delivery. Visible variances, quantity discrepancies, or transport damage must be noted on the transport document at unloading and notified to Dunavox in writing within three (3) business days of delivery with supporting evidence (e.g., photos, serial numbers). Use of the goods constitutes acceptance.</p> <p>Failure to notify Dunavox within this period shall be deemed unconditional acceptance of the goods.</p>
Prices	<p>All displayed prices are recommended and non-binding, exclusive of taxes, duties, and transport costs. Unless otherwise stated, all prices are quoted in euros (EUR). Prices may be adjusted in accordance with the terms specified in the applicable contract or price agreement and may also change in line with Dunavox's technical and commercial policies.</p>	Exchanges and Returns	<p>Returns are not accepted without Dunavox's prior written authorisation. If defective goods have already been installed, no reimbursement is provided for installation or removal costs. Returns/exchanges are refused for damage due to external factors (transport, misuse, improper installation, or unauthorised repair). No right of withdrawal applies to business customers.</p>
Product Visuals, Technical Details & Accessories	<p>All dimensions, specifications, and descriptions in catalogues, websites, or marketing materials are provided for general guidance only and may be modified, updated, or withdrawn at any time without prior notice. Images and product visuals in the Dunavox catalogue aim to represent our products as accurately as possible; however, minor variations may occur depending on model specifications, production batches, or design updates. Product specifications, features, and visuals shown may therefore vary by model or production batch, and details must always be confirmed with the local Dunavox sales representative before ordering.</p> <p>As Dunavox continuously develops and improves its products, this catalogue — at the time of its publication — includes the latest available features. These may include new technologies, design elements, lighting options, control screen types, display shelves, opening sensors, or other components. Certain features shown may not yet be available on specific models currently in distribution.</p> <p>Technical details shown — including, but not limited to, elements such as TFT displays, ventilation systems, lighting, or mobile-app functionalities — may differ between models or may change over time as part of ongoing product development.</p> <p>Optional accessories (e.g., display wooden shelves or custom components) may be available separately, subject to model compatibility, and must be verified prior to order.</p> <p>The technical and installation documentation supplied with the product at the time of delivery shall always prevail. No claims may arise from subsequent updates, changes, or development-driven modifications to published materials.</p>	Suspension of Deliveries	<p>Dunavox may suspend deliveries or cancel orders if the Customer fails (even partially) to meet contractual or payment obligations.</p>
Payment Terms & Late-Payment Remedies	<p>Payments are valid only if made directly to the Supplier by bank transfer to the account stated on the Dunavox invoice. Invoices are payable per the terms stated on the invoice or order confirmation. Payment disputes do not entitle the Customer to suspend or offset due amounts.</p> <p>Late-Payment Remedies. Statutory default interest applies (reference rate of the European Central Bank + eight (8) percentage points), accruing automatically from the day after the due date, without reminder. A fixed EUR 40 recovery fee is due per late invoice, without prejudice to Dunavox's right to claim reasonable additional recovery costs actually incurred, including legal fees, court costs, and fees of external debt-collection agencies.</p> <p>Partial payments shall be allocated first to interest and recovery costs, then to the principal amount.</p>	Products, Packaging, Waste Management (EPR) & F-gas	<p>Where Dunavox has no local entity and issues export invoices directly, the buyer is deemed the importer in the destination country and is responsible for full compliance with national extended producer responsibility (EPR) obligations (e.g., WEEE registration, reporting, take-back/recycling financing), as well as for ensuring conformity documentation is available to authorities.</p> <p>If required by local regulations, the importer shall display or register Dunavox's EPR identifiers on invoices or relevant national platforms.</p> <p>F-gas statement. Dunavox domestic wine coolers do not contain fluorinated greenhouse gases (F-gases); accordingly, EU F-gas handling and certification requirements do not apply to these products.</p>
Orders and Order Modifications	<p>Purchase orders are binding once confirmed by Dunavox in writing (by order confirmation or equivalent communication). Any modification or cancellation requested by the Customer must be submitted in writing within six (6) business days of the original order date.</p> <p>Failure to confirm or object within this period shall constitute acceptance of all terms as stated in the purchase order and Dunavox's confirmation. After this period, the order is deemed final and cannot be altered without Dunavox's express written consent.</p> <p>Changes requested after this period may result in additional administrative and logistical costs, which Dunavox reserves the right to charge. Any subsequent modification may affect delivery timing or pricing, at Dunavox's discretion. Repeated post-order modifications may affect future commercial terms or delivery scheduling.</p> <p>All deliveries are agreed in advance with the buyer (by email, phone, or other confirmed means); however, if delivery attempts by transportation companies (e.g., Liegl & Dachser) are unsuccessful due to the recipient being closed, unreachable, or not responding to the pre-communicated delivery timing, any resulting extra delivery attempts and related costs incurred by Dunavox will be charged to the buyer.</p>	Force Majeure	<p>Dunavox is not liable for delays or non-performance caused by events beyond its reasonable control, including natural disasters, war, acts of government, pandemics, strikes, transport disruptions, supplier failure, or shortages. Performance is suspended for the duration of such event.</p>
Retention of Title	<p>Ownership of the goods remains with Dunavox Kft. until full payment of the invoice amount (including ancillary costs and interest). Until paid in full, the Customer shall not sell, pledge, or otherwise dispose of the goods without Dunavox's prior written consent. In case of non-payment, Dunavox may reclaim the goods at the Customer's expense.</p> <p>Retention of title remains valid even if the goods are transported to another country, subject to applicable local law.</p>	Warranty	<p>Dunavox products include a 36-month parts and labour warranty, exceeding the standard 24-month legally required warranty.</p> <p>By registering the product at www.dunavox.com within 30 days of purchase, the compressor warranty is extended by an additional two (2) years, providing a total of five (5) years of coverage for the compressor. The warranty is valid only within the country of purchase.</p> <p>Service processing and its related cost coverage are detailed separately in specific contractual agreements between Dunavox and its partners.</p> <p>Claims must include proof of purchase and, if applicable, proof of registration. The warranty covers labour, spare parts, and transport costs necessary for repair. Removal and reinstallation of built-in appliances are the end user's responsibility. For safety reasons, on-site service is not provided for units installed higher than 2 metres above floor level.</p> <p>Exclusions. No coverage for: transport/relocation damage; scratches/broken glass, shelves, or handles; improper installation/use; wrong power connection or unstable voltage; unauthorised repair/modification; natural disasters; aesthetic wear/discoloration; loss or spoilage of wine or other contents; general wear and tear. Dunavox is not liable for any indirect or consequential damage, including deterioration of wine or surrounding materials.</p> <p>The extended warranty is not applicable to commercial installations or resale.</p>
Delivery Terms; Transport; Risk	<p>Unless otherwise agreed in writing, deliveries are EXW (Ex Works) Dunavox's warehouse. Delivery dates are indicative only; delays do not entitle the Customer to cancel or claim compensation. If products are temporarily unavailable, Dunavox will provide an estimated delivery time or a suitable alternative.</p> <p>Should any damage be identified upon delivery, a written damage report shall be drawn up and signed by the carrier at the time of receipt.</p> <p>Incoterms® 2020. Delivery terms in order confirmations are interpreted under Incoterms® 2020; risk of loss or damage passes per the selected rule. Absent other agreement, EXW applies.</p> <p>The Customer is responsible for unloading, inspection, and insurance after risk transfer.</p>	Assistance	<p>All warranty-related service requests must be submitted via the Service Request Form on the relevant country page at www.dunavox.com. Repairs are coordinated exclusively by Dunavox and performed by authorised service partners.</p>
		Manufacturer's Warranty	<p>Products are covered by the official manufacturer's warranty in accordance with applicable EU consumer and product-conformity regulations. The warranty applies exclusively to the original purchaser and is non-transferable. Any repair or replacement performed under warranty does not extend or renew the original warranty period.</p> <p>Where mandatory national consumer protection laws provide otherwise, such provisions shall prevail over these GTC.</p>
		Limitation of Liability	<p>To the extent permitted by law, Dunavox is not liable for indirect, incidental, or consequential damages, including lost profits, business interruption, or data loss, arising from sale, delivery, installation, or use. Dunavox's total liability shall not exceed the invoiced value of the product concerned.</p> <p>Nothing in these Terms limits Dunavox's liability for death, personal injury, or fraud where such limitation would be unlawful.</p>

Data Protection (GDPR)	Dunavox processes personal data in accordance with the EU General Data Protection Regulation (GDPR). Data is used solely for order processing, warranty, and after-sales service. Details are available in the Dunavox Privacy Policy at www.dunavox.com/privacy .
Intellectual Property	All intellectual property rights in Dunavox catalogues, photographs, drawings, specifications, software, and brands remain with Dunavox. Any reproduction or use beyond resale of Dunavox products requires prior written consent. No licence is granted by supplying goods.
Trade Compliance (Sanctions/Export Controls/Anti-Corruption)	The Customer shall comply with all applicable export control, sanctions, anti-bribery, anti-corruption, and anti-money-laundering laws. Dunavox may suspend performance where supply, payment, or delivery would breach such laws.
Set-off and Assignment	The Customer may not set off or withhold payments except for undisputed or finally adjudicated claims. Assignment of rights or obligations under any contract with Dunavox requires Dunavox's prior written consent.
Safety and Recall Cooperation	The Customer shall promptly inform Dunavox of any safety incident or suspected non-conformity and shall cooperate reasonably in any corrective action or recall, including customer notification and logistics as reasonably requested by Dunavox.
Digital Elements and Firmware (where applicable)	Where products include software or firmware, Dunavox may provide updates for safety, functionality, or compliance. The Customer (or end user) shall install such updates without undue delay. Firmware updates do not imply new functionalities or feature upgrades beyond safety and compliance requirements. No commitment is made to support new third-party platforms or integrations beyond legal requirements.
Governing Law and Jurisdiction	All sales are governed by Hungarian law (excluding conflict-of-law rules). The exclusive place of jurisdiction for all disputes is the registered office of Dunavox Kft., except where mandatory EU consumer law requires otherwise. The United Nations Convention on Contracts for the International Sale of Goods (CISG) does not apply.
Language and Interpretation	In the event of discrepancies between translated versions of these Terms and Conditions, the English version shall prevail.
Attachment to Invoices	These General Terms and Conditions are attached to every invoice and are deemed accepted upon payment or acceptance of delivery. Customers should review the GTC before completing any transaction. In case of any conflict between these GTC and specific invoice terms, these GTC shall prevail unless otherwise expressly agreed in writing.
Bottle Capacity	The product's stated bottle capacity represents the maximum number of bottles that can be stored in the cabinet. Actual capacity may vary depending on bottle shape, size, and label thickness. Detailed loading recommendations for different bottle types (such as Burgundy or Bordeaux) are provided in the product's User Manual.
Custom Finishes and Door Colour Options	Where available, Dunavox products may be ordered with individually selected colour options for the wine cooler front, as well as matching colour options for selected interior elements such as shelves. These finishes are produced on a made-to-order basis and are subject to specific technical conditions and limitations. Colour options are available exclusively for models supplied with stainless steel / inox front variants. The visual appearance of coloured surfaces, including the wine cooler front and shelves, may vary slightly due to the painting process and material characteristics. Product images, colour samples, and visual representations shown in catalogues, digital media, or other materials are provided for reference only and do not constitute a binding colour guarantee. Detailed conditions regarding available colour options, finish types, technical feasibility, lead times, and maintenance requirements are governed exclusively by the Dunavox RAL Door Painting Policy, which shall prevail over any marketing or technical documentation in case of discrepancy.
Important Information	Always read the installation and operating manuals before use. Improper installation (e.g., insufficient ventilation or tilted positioning) may impair performance or void the warranty. Installation must follow the technical diagrams and instructions supplied with the product at the time of delivery. Failure to comply with installation instructions may result in performance loss or exclusion from warranty coverage. All dimensions in technical documentation are stated in millimetres (mm).

Dunavox Global

info@dunavox.com

+36 27 594 054



facebook.com/dunavoxglobal

instagram.com/dunavoxglobal

linkedin.com/company/dunavox

youtube.com/@dunavoxglobal