

DUNAVOX

INSTRUCTION MANUAL

MODEL

DX-6.16DG

Wine cooler

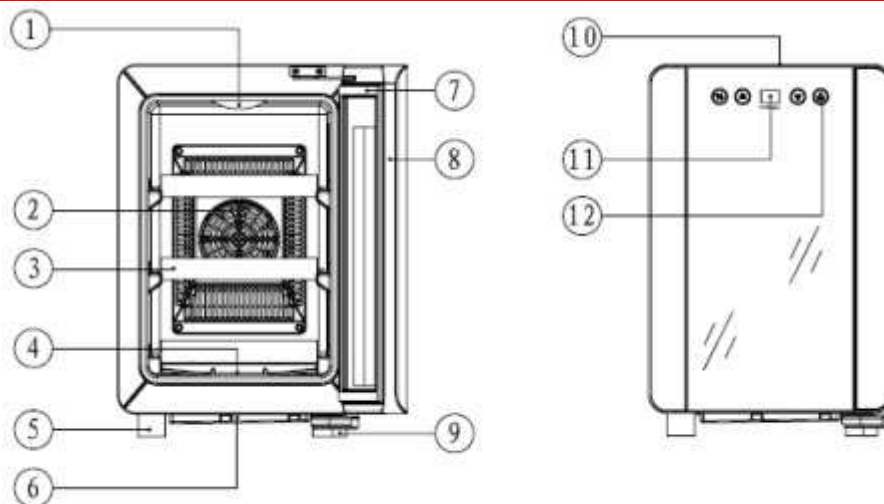
CAUTION!

Please read carefully and follow all safety rules and operating instructions!

CONTENTS

YOUR WINE REFRIGERATOR	3
TECHNICAL DATA	4
IMPORTANT SAFETY INSTRUCTIONS	5
INSTALLATION INSTRUCTIONS.....	6
BEFORE USING YOUR WINE REFRIGERATOR.....	6
ELECTRICAL CONNECTION.....	6
OPERATING YOUR WINE REFRIGERATOR	7
HOW TO USE THE PRESS-BUTTONS ON THE DISPLAY PANEL:	7
CARE AND MAINTENANCE	7
CLEANING YOUR WINE REFRIGERATOR.....	7
MOVING YOUR WINE REFRIGERATOR.....	7
PROBLEMS DISPOSAL.....	8

THIS PRODUCT IS DESIGNED FOR WINE STORAGE ONLY.

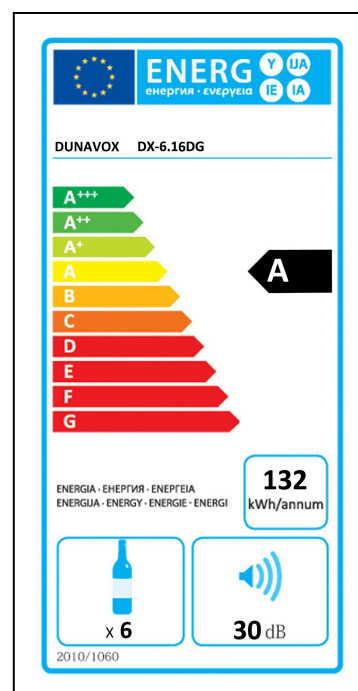
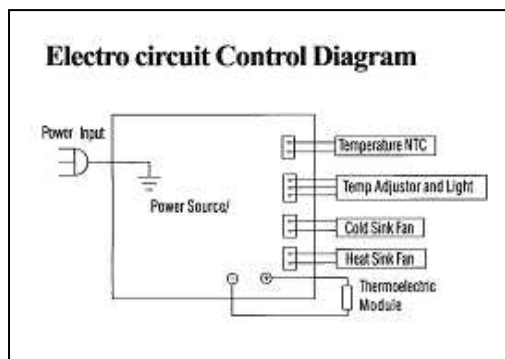


YOUR WINE REFRIGERATOR

1. LIGHT	7. MAGNETIC SEAL
2. FAN MASK	8. DOOR FRAME
3. SHELF	9. REAM COVER
4. WATER BOX	10. HANDLE (OPTIONAL)
5. ADJUSTABLE LEG	11. TEMPERATURE CONTROL PANEL
6. BOTTOM WATER BOX	12. LIGHT SWITCH

TECHNICAL DATA

Model no.	DX-6.16DG
Capacity	16L
Voltage	220V
Current	0,5A(25°C/77°F)
Protection class	I
Climate class	SN;N
Input power	70W
Power Consumption(KW.h/24h)	0.363(15°C/59°F)
Max Temperature Difference	> 13°C (64°F)
Temperature Control Range	7-18°C (44-66°F)
Net weight	8,9kg
Gross weight	10,5kg
Shape size(WxHxD)	40.5x26.5x50 CM
Packing size(WxHxD)	47.5x36.3x59.5 CM



IMPORTANT SAFETY INSTRUCTIONS

WARNING: To reduce the risk of fire, electrical shock, or injury when using your appliance, follows these basic precautions;

- Read all instructions before using the wine refrigerator.
- **DANGER** or **WARNING:** risk of child entrapment.
- Junked or abandoned appliances are dangerous ...even if they “just sit in the garage a few days.”
- **Before you throw away your old wine refrigerator:** take of the door .leave the shelves in place so that children may not easily climb inside.
- Never allow children to operate, play with, or crawl inside the appliance.
- Never clean appliance parts with flammable fluids. The fumes can create a fire hazard or explosion.
- Do not store or use gasoline or any other flammable vapors and liquids in the vicinity of this or any other appliance. The fumes can create a fire hazard or explosion.
- Does not store food in wine refrigerator, as interior temperature may not get cool enough to prevent spoilage

SERVICE & IMPORTANT NOTICE

- Upon receipt and inspection of the unit, if supply cord is damaged, It must be replaced. For any additional information or questions, please contact the service center.
- **WARNING:** please do not uses where children can touch the unit, nor let children use the unit by themselves.

SAVE THESE INSTRUCTIONS!

INSTALLATION INSTRUCTIONS

BEFORE USING YOUR WINE REFRIGERATOR

- Remove the exterior and interior packing
- Check to be sure the following parts are included:
 - 3 slide out shelves
 - instruction manual
- Before connecting the appliance to the power source, let it stand upright for approximately 2 hours. This will reduce the possibility of a malfunction in the cooling system from handling during transportation.
- Clean the interior surface with lukewarm water using a soft cloth.
- Place your appliance on a floor that is strong enough to support the appliance when it is fully loaded. To level your appliance, adjust the front legs at the bottom of the appliance.
- Do not place the unit to direct sunlight and sources of heat (stove, heater, radiator, etc.). Direct sunlight may affect the acrylic coating and heat sources may increase electrical consumption. Extreme cold or hot ambient temperatures may also cause the appliances not to perform properly. Never place the wine cooler on the top of refrigerator!
- Not designed for placement in adage or basement. Designed for use inside the home.

ELECTRICAL CONNECTION

Warning!



IMPROPER USE OF THE GROUNDED PLUG CAN RESULT IN THE RISK OF ELECTRICAL SHOCK. IF THE POWER CORD IS DAMAGED, HAVE IT REPLACED BY AN AUTHORIZED PRODUCTS SERVICE CENTER.

- This unit should be properly grounded for your safety. The power cord of this unit is equipped with a 2-pin plug which mates with 2-pin wall outlets to minimize the possibility of electrical shock. Do not under any circumstances cut or remove the ground wire from the power cord supplied.
- Use of extension cords is not recommended.
- This unit requires a standard 220V-50HZ electrical outlet with 2-pin plug.
- The cord should be secured behind the wine refrigerator and not let exposed or dangling to prevent accidental injury.

OPERATING YOUR WINE REFRIGERATOR

- It is recommended that you installed the wine refrigerator in a place where the ambient temperature is between 10-26 °C(50-80 °F) . If the ambient temperature is above or below recommended temperatures, the performance of the unit may be affected. For example, placing in extreme cold or hot conditions may cause interior temperature to fluctuate. The range of 8-18 °C (46-66 °F) may not be reached.
- The temperature may fluctuate depending on whether or not the interior light is on or off or whether the bottles are located on the upper, middle or lower section.

HOW TO USE THE PRESS-BUTTONS ON THE DISPLAY PANEL:

- You can set the temperature as your desire by pressing the button.
- There are three press-button on the panel  and  to adjust the temperature by 1 °C among 8-18 °C (46-66 °F).
- You can tune the interior light on or off by pressing the “Light” button.
- Temperature display will be flashing when the cabinet temperature is higher than 22°C.
- Energy consumption valid for storage temperature between 12°C and 18°C at ambient temperature of 25°C.

CARE AND MAINTENANCE

CLEANING YOUR WINE REFRIGERATOR

- Unplug the wine refrigerator and remove the bottles.
- Wash the inside with a warm water and baking soda solution. The solution should be about 2 tablespoons of baking soda to a quart of water.
- The outside of wine cooler should be cleaned with detergent and warm water.
- Draw out the water box at the bottom, and wash.

MOVING YOUR WINE REFRIGERATOR

- Remove all the bottles.
- Securely tape down all loose items inside your wine refrigerator.
- Turn the leveling legs up to the base to avoid damage.
- Be sure the wine refrigerates stays in the upright position during transportation.

PROBLEMS DISPOSAL

You can solve many common wine refrigerator problems easily, saving you the cost of a possible service call. Try the suggestion below to see if you can solve the problem before calling service center.

PROBLEM	POSSIBLE CAUSE
Wine refrigerator do not operate.	Not plugged in using different voltage. The circuit breaker tripped or a blown fuse.
Wine refrigerator is not cold enough.	Check the temperature control setting. External environment may require a higher setting. The door is open too often. The door is not closed completely. The door seal does not seal properly. The wine refrigerator does not have the correct clearance.
The light does not work.	Check the service center.
Vibrations.	Check to assure that the wine refrigerator is level.
The wine refrigerator seems to make to much noise	The wine refrigerator is not level. Check the fan.
The door will not close properly.	The wine refrigerator is not level. The doors were reversed and not properly installed. The seal is weak. The shaves out of position.
LED could not display.	Main control board does not work. PCB Problem. There is some problem with the plug.
LED display error.	Weak quality of display. Temperature point is out off.
Bottoms are not functional.	Temperature controller panel is damaged.