

INSTRUCTION MANUAL FOR WINE COOLER

MODEL NO.

DX-45.158K

DX-143.392K

DX-154.396K

Thanks for buying our wine cooler, wish our advanced product will take care of your wine very well and you can have joyful taste. Before use, please read and follow all safety rules and operating instructions.

SAFETY INSTRUCTIONS ATTENTION

⚡WARNING⚡

To reduce the risk of fire, electrical shock, or injury when using your appliance, follow these basic precautions:

READ ALL INSTRUCTION BEFORE USING THE WINE COOLER.

- This appliance can be used for wine storage only!
- Don't let children operate the wine cooler or seek connections with any position of the cabinet, in case that the cabinet turnover and cause the bodily injury.
- After the appliances are junked or abandoned, please remove the glass door of cabinet, and Choose an authorized disposal site.
- Please don't clear the cabinet with flammable liquid, in order to avoid cause the fire or explodes. Flammable and explosive articles should not be put in or near the cabinet, to avoid the fire or explode caused.
- Flammable and explosive articles should not be put in or near the cabinet, to avoid the fire or explode caused.
- Please guarantee the properly grounded outlet of the cabinet, please be out of use immediately when touching the cabinet and feeling leaks electricity, pull out the plug and ask the professional engineer to repair.
- If the cable is damaged, please let the after-sale service or eligible technical personnel change, in order to avoid causing danger. **PLEASE DON'T TRY TO PLUG INTO OR EXTENSION THE CABLE IN ANY CASE.**

WARNING:

- To prevent the door gasket being damaged, make sure to have the door all the way opened once pulling shelves out.
- Please put the cabinet in the position close to the plug.
- Please put the cabinet in the position close to the plug. Don't move your cabinet while loaded with wine.
- Please put in the suitable place to avoid touching the compressor with hands.

INSTALLION INSTRUCTIONS:

➤ BEFORE USING YOUR WINE COOLER

- Remove the exterior and interior packing.
- Before connecting the Wine Cooler to the power source, let it stand upright 48 hours. This will reduce the possibility of a malfunction in the cooling system from handling during transportation.
- Clean the interior surgace with lukewarm water with a soft cloth.
- Install the handle on the left side of the door.(If with handle)

➤ INSTALLION OF YOUR WINE COOLER

- This appliance is designed to be for free standing installation or built-in(fully recessed).
- Place your Wine Cooler on a floor that is strong enough to support it when it is fully loaded. Do not place the appliance on floor heated area!
- To lever your Wine Cooler, adjust the leveling leg at the level position.
- Locate the Wine Cooler away from direct sunlight and sources of heat (stove, radiator,

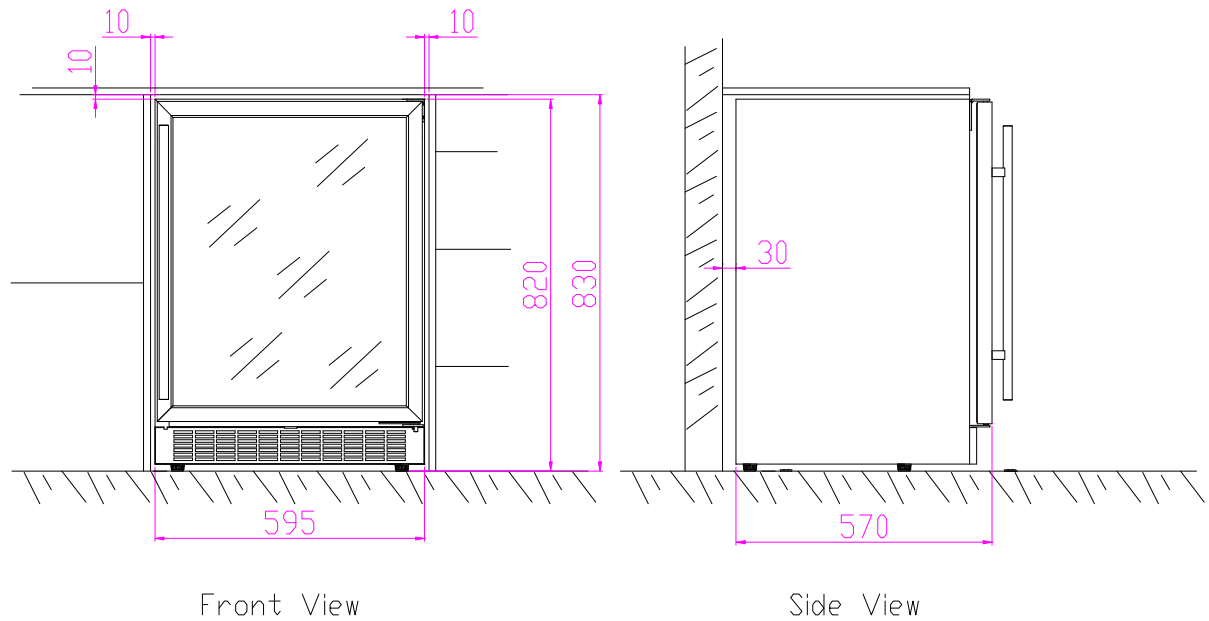
electric radiator, etc.). Direct sunlight may affect the acrylic coating and heat sources may increase electrical consumption.

- Avoid locating the unit in moist area.
- Plug the Wine Cooler into an exclusive, properly installed-grounded wall outlet.

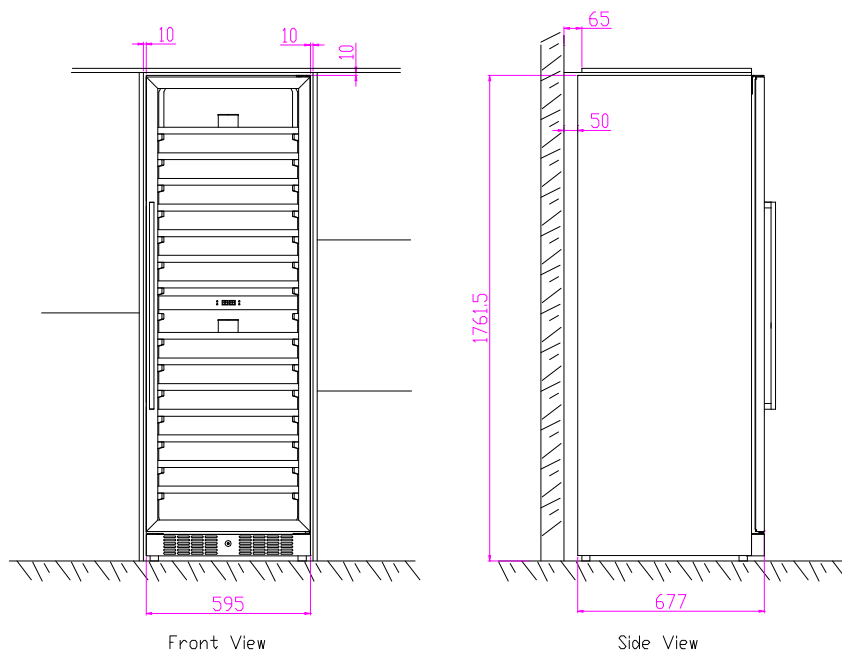
➤ INSTALLION DRAWING

- In order to let your units working on good conditions, please make sure to keep sufficient air circulation for cabinet.
- Please strict accordingly to below installation drawing to well install your cabinet.

Model DX-45.158K



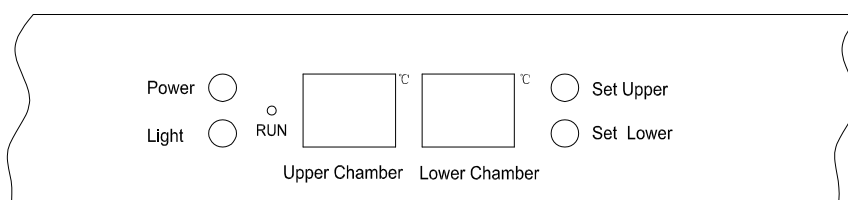
Model DX-143.392K & DX-154.396K



OPERATING YOUR WINE COOLER AND SETTING THE TEMPERATURE CONTROL

Please use the cabinet under 5-35 ° ambient temperature, if the ambient temperature is higher than or lower than this temperature, it will cause the temperature fluctuation in the cabinet, maybe can't reach 5-18 °.

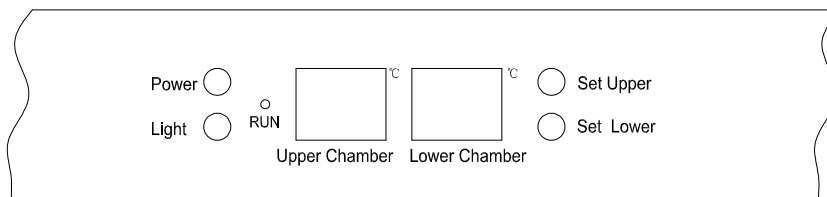
➤ **CONTROLL SYSTEM INSTRUCTION :** **DX-45.158K**



- **LIGHT**
Control the interior light ON/OFF
- **RUN**
When it's ON, the cooling system runs.
- **Power**
control this appliance turn on/off. (press and hold this buttons for approximately 3 seconds);
- **“Set Upper” BUTTER**
The temperature setting can be adjusted from 5° to 10° (41° to 50°).
When pressing this button, the system will be entering the set up mode in the upper compartment automatically. The LED will flashing and display the setting temperature. Press once the button, the temperature will decrease 1 °(or 1°). When exceeding the minimum value that can be established, it will jump to the highest adjustable temperature value automatically. After stopping pressing the button for 5 seconds, LED figure will stop flash, then revert back to display the temperature of the upper compartment.
- **“Set Lower” BUTTER**
Set up the temperature in lower compartment: The temperature setting can be adjusted from 10° to 18° (50° to 64°).
When pressing this button, the system will be entering the set up mode in the upper compartment automatically. Setting details same as above.
- **“Upper chamber”**
Display the actual temperature in upper compartment.
- **“Lower Chamber”**
Display the actual temperature in lower compartment.
- After the unit is unplugged, the system will return to acquiescence temperature, which setting by factory. The acquiescence temperature as below:
Upper compartment: 6 °
Lower compartment: 12 °
- If want reveal every indoor setting temperature, please corresponding to press " Set Upper " or " Set Lower " button, the LED will flash and display the setting temperature. After stopping pressing the button for 5 seconds, LED figure will stop flash, then revert back to

display the actual temperature.

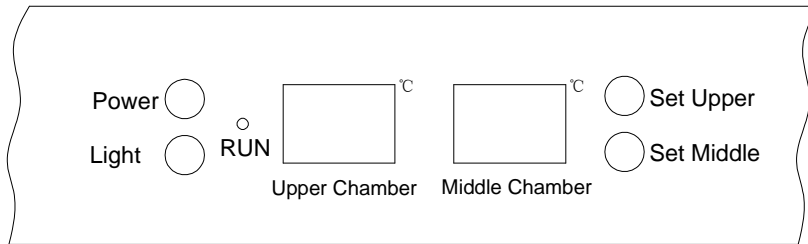
DX-154.396K



- **Light**
Control the interior light ON/OFF
- **RUN**
When it's ON, the cooling system runs.
- **Power**
control this appliance turn on/off. (press and hold this buttons for approximately 3 seconds);
- **“Set Upper” BUTTER**
The temperature setting can be adjusted from 5□ to 18□ (41□ to 65□).
When pressing this button, the system will be entering the set up mode in the upper compartment automatically. The LED will flashing and display the setting temperature. Press once the button, the temperature will decrease 1 □(or 1□). When exceeding the minimum value that can be established, it will jump to the highest adjustable temperature value automatically. After stopping pressing the button for 5 seconds, LED figure will stop flash, then revert back to display the temperature of the upper compartment.
- **“Set Lower” BUTTER**
Set up the temperature in lower compartment: The temperature setting can be adjusted from 5□ to 18□ (41□ to 65□).
When pressing this button, the system will be entering the set up mode in the upper compartment automatically. Setting details same as above.
- **“Upper chamber”**
Display the actual temperature in upper compartment.
- **“Lower Chamber”**
Display the actual temperature in lower compartment.
- After the unit is unplugged, the system will return to acquiescence temperature, which setting by factory. The acquiescence temperature as below:
Upper compartment: 7 □
Lower compartment: 12 □
- If want reveal every indoor setting temperature, please corresponding to press " Set Upper " or " Set Lower " button, the LED will flash and display the setting temperature. After stopping pressing the button for 5 seconds, LED figure will stop flash, then revert back to display the actual temperature.

DX-143.392K

➤ The controls of your Wine cooler (the upper zone and middle zone)



- **RUN**
Indicator light illuminates to signify the cooling mode is currently in operation.
- **Light**
To control the inner light turn on/off.
- **Power**
To control this appliance turn on/off.
- **“Set Upper” Button**
To set the temperature of the upper chamber.
- **“Set Middle” Button**
To set the temperature of the middle chamber.
- **“Up chamber”**
To shows the temperature of the up chamber.
- **“Middle chamber”**
To shows the temperature of the middle chamber.

Setting the Temperature Control

Each cooling compartment of the wine cooler (upper & lower) is independently controlled. To set the temperature:

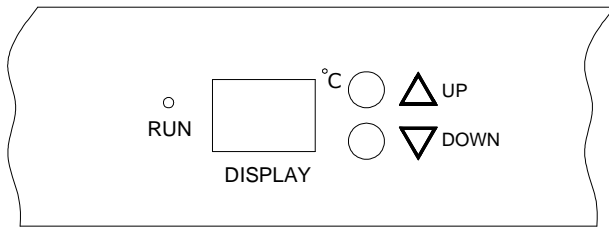
- Connect the power cord to a properly grounded outlet. In the event of a power interruption, all previous temperature settings are automatically erased and each compartment will default to a preset temperature setting of: 7°C for upper compartment and 12°C for middle compartment.
- Set the desired cooling temperature by pressing the buttons adjacent to the “Set Upper/Set Middle” program. Each depression of the buttons will scroll through the available temperature settings (for each compartment) in increments of 1 degree. The temperature selected will flash in the LED display for approximately 5 seconds, then revert back to display the temperature of the internal cabinet

Upper compartment: The temperature setting can be adjusted from 5°C to 18°C.

Middle compartment: The temperature setting can be adjusted from 5°C to 12°C.

- To view the “Set” temperature (anytime) press and hold the corresponding button, the “Set” temperature will temporarily “flash” in the LED display for 5 seconds.

The controls of your Wine cooler (the Lower zone)



- **“UP” Button**
Used to raise(warm) the temperature in 1□.
- **“DOWN” Button**
Used to lower(cool) the temperature in 1□.
- **“DISPLAY”**
To shows the temperature of the lower compartment.

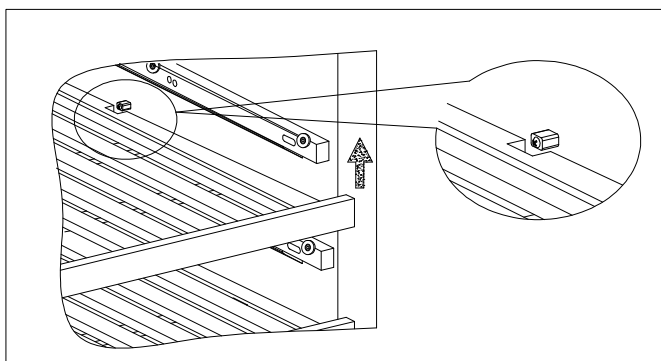
➤ **Setting the Temperature Control**

- To set the temperature:
- Connect the power cord to a properly grounded outlet. In the event of a power interruption, all previous temperature settings are automatically erased and it will default to a preset temperature setting of: 7□.
- Set the desired cooling temperature by pressing the buttons adjacent to the “UP/DOWN” program. Each depression of the buttons will scroll through the available temperature settings in increments of 1 degree. The temperature selected will flash in the LED display for approximately 5 seconds, then revert back to display the temperature of the internal cabinet
- The temperature setting can be adjusted from 12□ to 18□

➤ **SHELF**

DX-45.158K DX-1543.396K DX-143.392K

- To prevent damaging the door gasket, make sure to have the door all the way opened when pulling shelves out of the rail compartment.
- For easy access to the storage content, you must pull the shelves approximately 1/3 out of the rail compartment, however this unit was designed with a notch on each sides of the shelf tracks to prevent bottles from falling.



Put the shelf gap(left and right) under the square plastic block, uptilt the shelf,then pull the shelf from the Wine Cooler.

GENERAL INSTRUCTION FOR WINE COOLER

➤ **USING ATTENTION**

- Store wine in sealed bottles.
- Do not overload the cabinet.
- Do not open the door unless necessary
- Do not cover shelves with aluminum foil or any other shelf material, which may prevent air circulation.
- Should the wine cooler be stored without use for long periods it is suggested, cut off the power and careful cleaning, leave the door ajar to allow air to circulate inside the cabinet in order to avoid possible formations of condensation, moldy or odors.

➤ **ATTENTION**

- If the unit is unplugged, power lost, or turned off, you must wait 3 to 5 minutes before restart the unit. If you need attempt to restart before this time delay, the Wine Cooler will not start. If first time use or longer absence of using, the temperature will difference between setting and LED display temperature. After running a period, the temperature will be reverting back.

CARE & MAINTENANCE

➤ **CLEAN YOUR WINE COOLER**

- Turn off the power, unplug the appliance, and remove all items including shelves and rack.
- Wash the inside surfaces with a warm water and mild solution.
- Wash the shelves with a mild detergent solution.
- Wring excess water out of the sponge or cloth when cleaning area of the controls, or any electrical parts.
- Wash the outside cabinet with warm water and mild liquid detergent. Rinse well and wipe dry with a clean soft cloth.

➤ **POWER FAILURE**

- Most power failures are corrected within a few hours and should not affect the temperature of your appliance if you minimize the number of times the door is opened. If the power is going to be off for a long period of time, you need to take the proper steps to protect your contents.

➤ **VACATION TIME**

- **Short vacations:** Leave the Wine Cooler operating during vacations of less than three weeks.
- If the appliance will not be used for several months, remove all items and turn off the appliance. Clean and dry the interior thoroughly. To prevent odor and mold growth, leave the door open slightly: blocking it open if necessary.

➤ **MOVE YOUR WINE COOLER**

- Remove all items.
- Take out the loose items inside the wine cooler (such as shelf), or fix the loose items with the foam.
- Turn the adjustable leg up to the base to avoid damage.
- Tape the door shut.
- Be sure the appliance stays secure in the upright position during transportation. Also protect outside of appliance with a blanket or similar items.

➤ **ENERGY SAVING TIPS**

- The Wine Cooler should be located in the coolest area of the room, away from producing appliances, and out of the direct sunlight.

- **ALL THE APPLIANCES ARE DESIGNED WITH LED LIGHTS, IF LED LIGHT DAMAGE, PLEASE CONTACT WITH AFTER-SALE SERVICE TO REPLACE IT.**

PROBLEMS WITH YOUR WINE COOLER

You can solve many common Wine Cooler problems easily, saving you the cost of a possible service call. Try the suggestions below to see if you solve the problem before calling the servicer.

TROUBLESHOOTING GUIDE

Problem	Possible Cause
Wine Cooler does not operate	No plugged in. The appliance is turned off. The circuit breaker tripped or a blown fuse.
Wine Cooler is not cold enough	Check the temperature control setting. External environment may require a higher setting. The door is opened too often. The door is not closed completely. The door gasket does not seal properly.
Turns on and off frequently	The room temperature is hotter than normal. Overload of the cabinet The door is opened too often. The door is not closed completely. The temperature control is not set correctly. The door gasket does not seal properly.
The light does not work	Not plugged in. The circuit breaker tripped or a blown fuse. The bulb has burned out. The light button is "OFF"
Vibrations	check to sure that the Wine Cooler is level.
Too much noise	The rattling noise may come from the flow of the refrigerant, which is normal. As each cycle ends, you may hear gurgling. Contraction and expansion of the inside walls may cause popping and crackling noises. The Wine Cooler is not level.
The door will not close properly	The Wine Cooler is not level. The door was reversed and not properly installed. The gasket is dirty. The shelves are out of position.